



# Orthogonal Coaxial Adapters

73.8 - 112.0 GHz



QR code

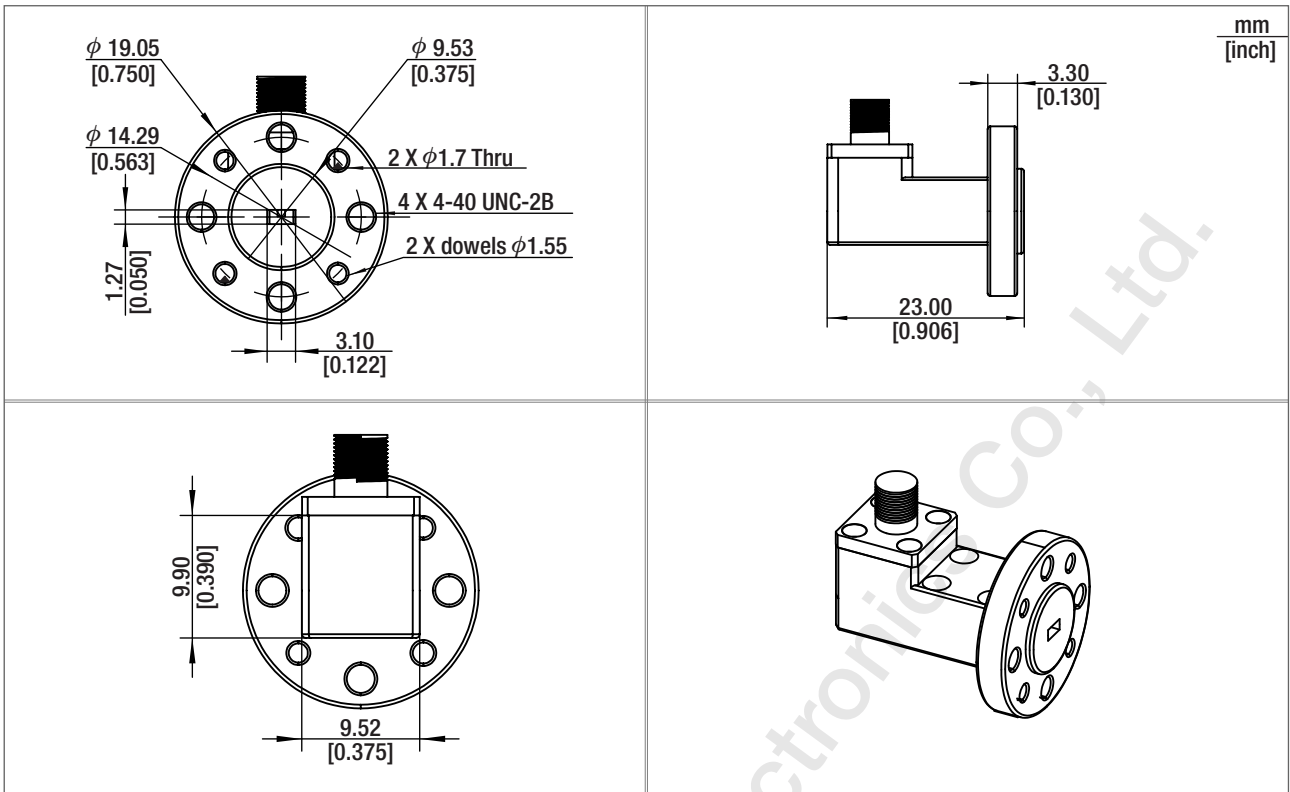


Hangzhou Multipath Electronics Co., Ltd., Zhejiang, China

## ⚙️ Product specifications

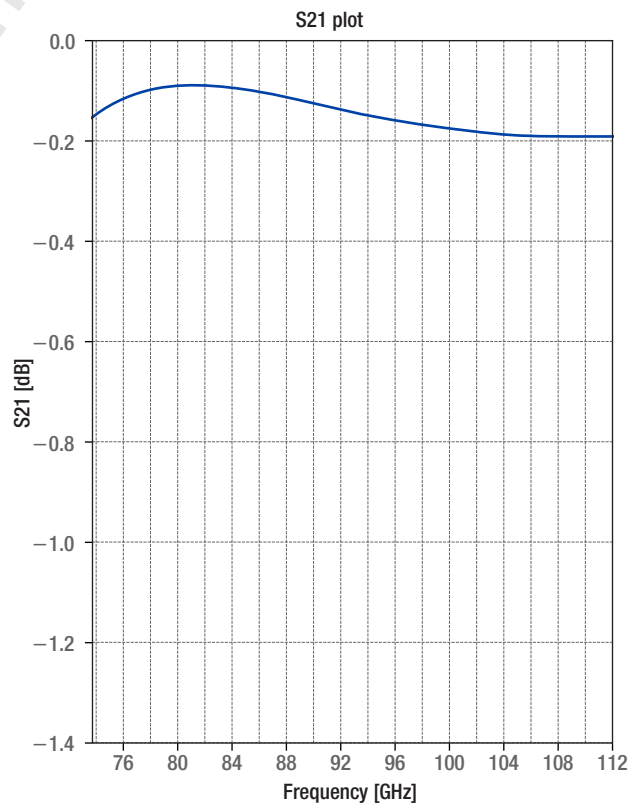
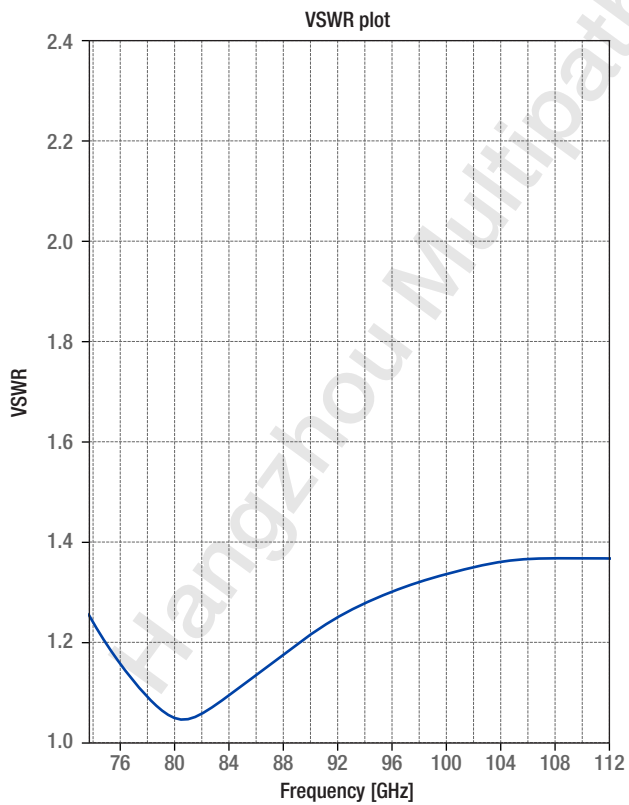
Part number	WR10-1.0-F	Insertion loss [dB]	0.20 Typ.
Frequency range [GHz]	73.8 – 112.0	VSWR	1.30 Typ.
Waveguide band	WR10	Flange	FUGP900 (UG-387/U)
RF connector	1.0-Female	Average power [W CW]	3 Max.
Dimensions (H x W x L) [mm; inch]	19.05 x 19.05 x 23.00; 0.75 x 0.75 x 0.91	Peak power [KW]	0.005
Weight (approx.) [kg; lb]	0.02; 0.044	Impedance [Ohms]	50
Material	Cu (Gold plated)		

## Outline dimensions



## Electrical characteristics

### • VSWR & S21



## • Data table

Frequency [GHz]	VSWR	S21 [dB]
74	1.25	-0.15
76	1.16	-0.12
78	1.09	-0.10
80	1.05	-0.09
82	1.05	-0.09
84	1.09	-0.09
86	1.13	-0.10
88	1.18	-0.11
90	1.22	-0.12
92	1.25	-0.14
94	1.28	-0.15
96	1.30	-0.16
98	1.32	-0.17
100	1.34	-0.18
102	1.36	-0.18
104	1.37	-0.19
106	1.37	-0.19
108	1.37	-0.19
110	1.37	-0.19
112	1.37	-0.19



Multipath Electronics

### Contact

+86-571-56201039

sales@multipath.cn

<https://www.multipath-electron.com>

Technical specifications in this datasheet are subject to change without notice.  
Actual products may differ from the shown images.