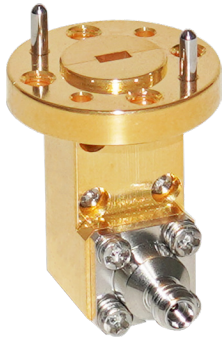


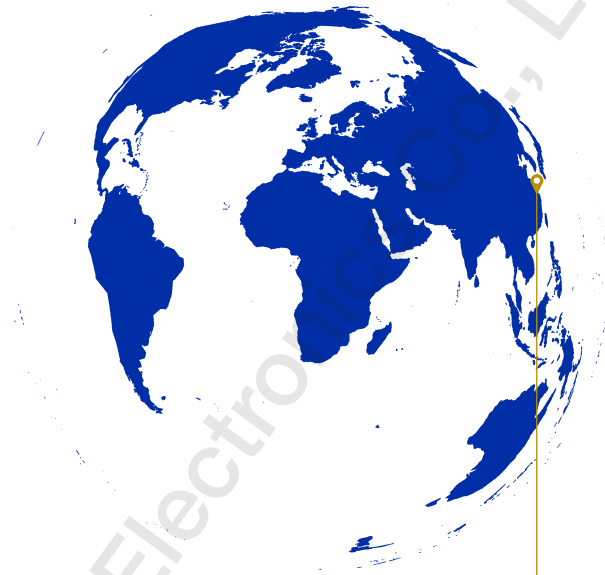


Orthogonal Coaxial Adapters

60.5 - 91.9 GHz



QR code

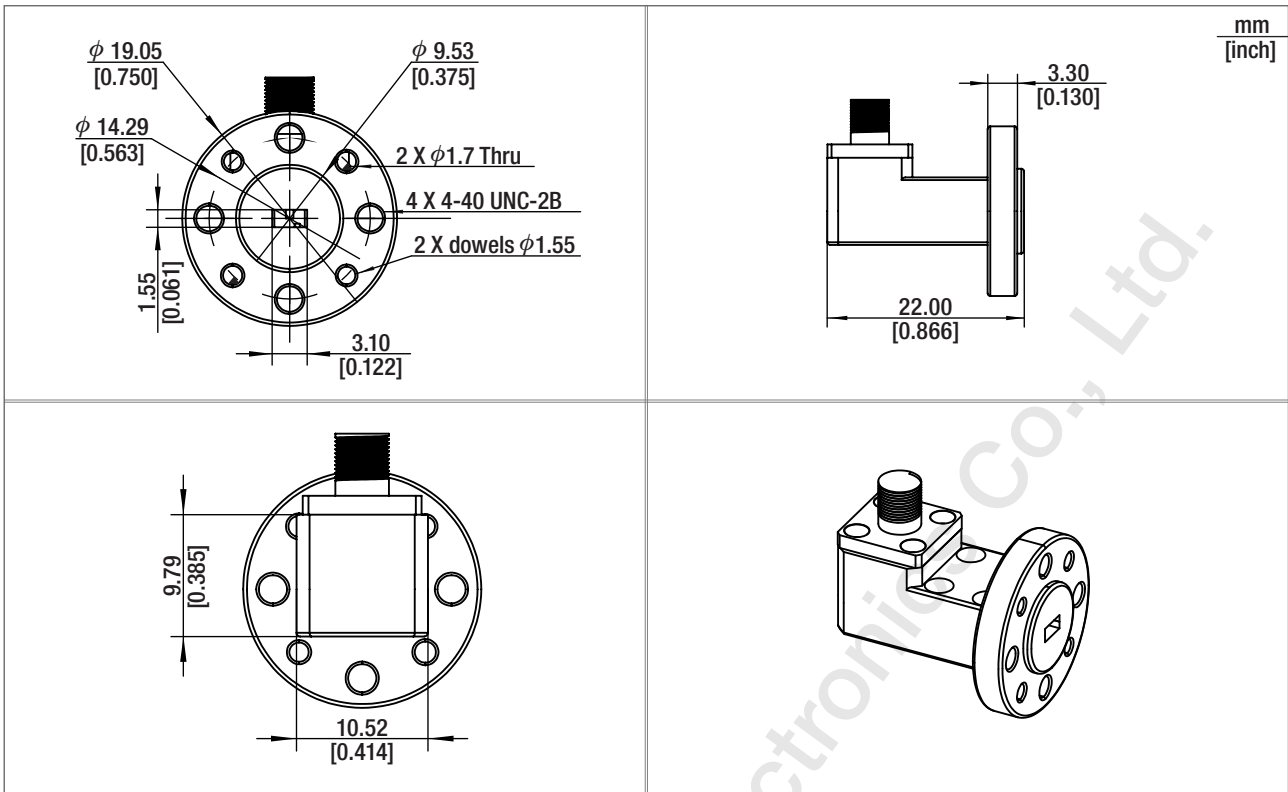


Hangzhou Multipath Electronics Co., Ltd., Zhejiang, China

⚙️ Product specifications

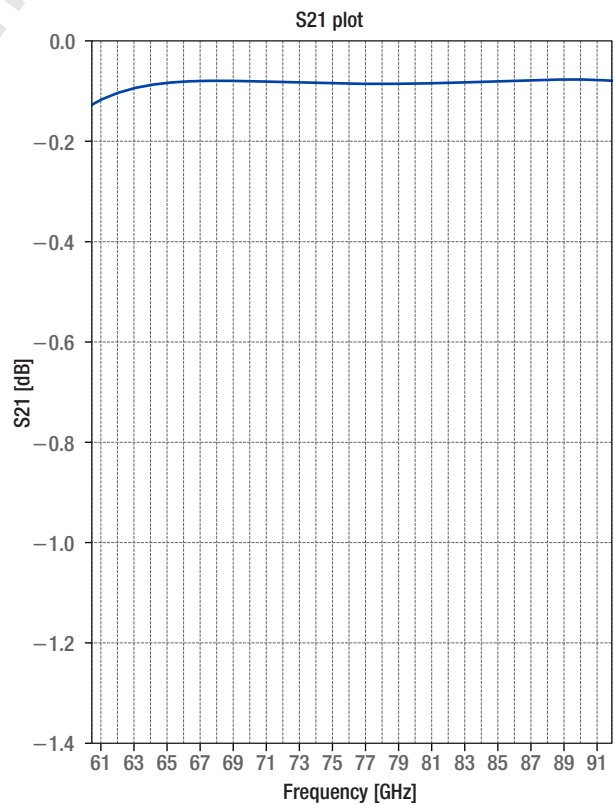
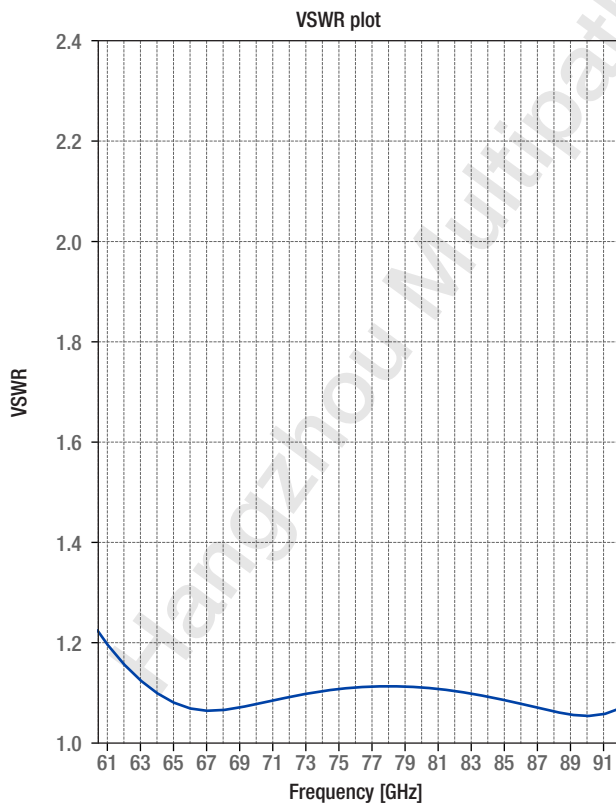
Part number	WR12-1.0-F	Insertion loss [dB]	0.10 Typ.
Frequency range [GHz]	60.5 – 91.9	VSWR	1.10 Typ.
Waveguide band	WR12	Flange	FUGP740 (UG-387/U)
RF connector	1.0-Female	Average power [W CW]	3 Max.
Dimensions (H x W x L) [mm; inch]	19.05 x 19.05 x 22.00; 0.75 x 0.75 x 0.87	Peak power [KW]	0.005
Weight (approx.) [kg; lb]	0.02; 0.044	Impedance [Ohms]	50
Material	Cu (Gold plated)		

Outline dimensions



Electrical characteristics

• VSWR & S21



• Data table

Frequency [GHz]	VSWR	S21 [dB]
61	1.20	-0.12
63	1.13	-0.09
65	1.08	-0.08
67	1.06	-0.08
69	1.07	-0.08
71	1.08	-0.09
73	1.10	-0.09
75	1.11	-0.09
77	1.11	-0.09
79	1.11	-0.09
81	1.11	-0.09
83	1.10	-0.08
85	1.08	-0.08
87	1.07	-0.08
89	1.05	-0.08
91	1.06	-0.08



Multipath Electronics

Contact

+86-571-56201039

sales@multipath.cn

<https://www.multipath-electron.com>

Technical specifications in this datasheet are subject to change without notice.
Actual products may differ from the shown images.