

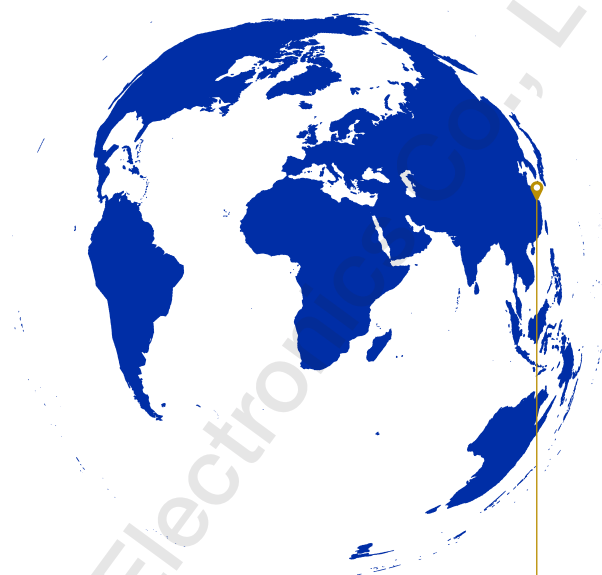


# Orthogonal Coaxial Adapters

49.8 - 75.8 GHz



QR code

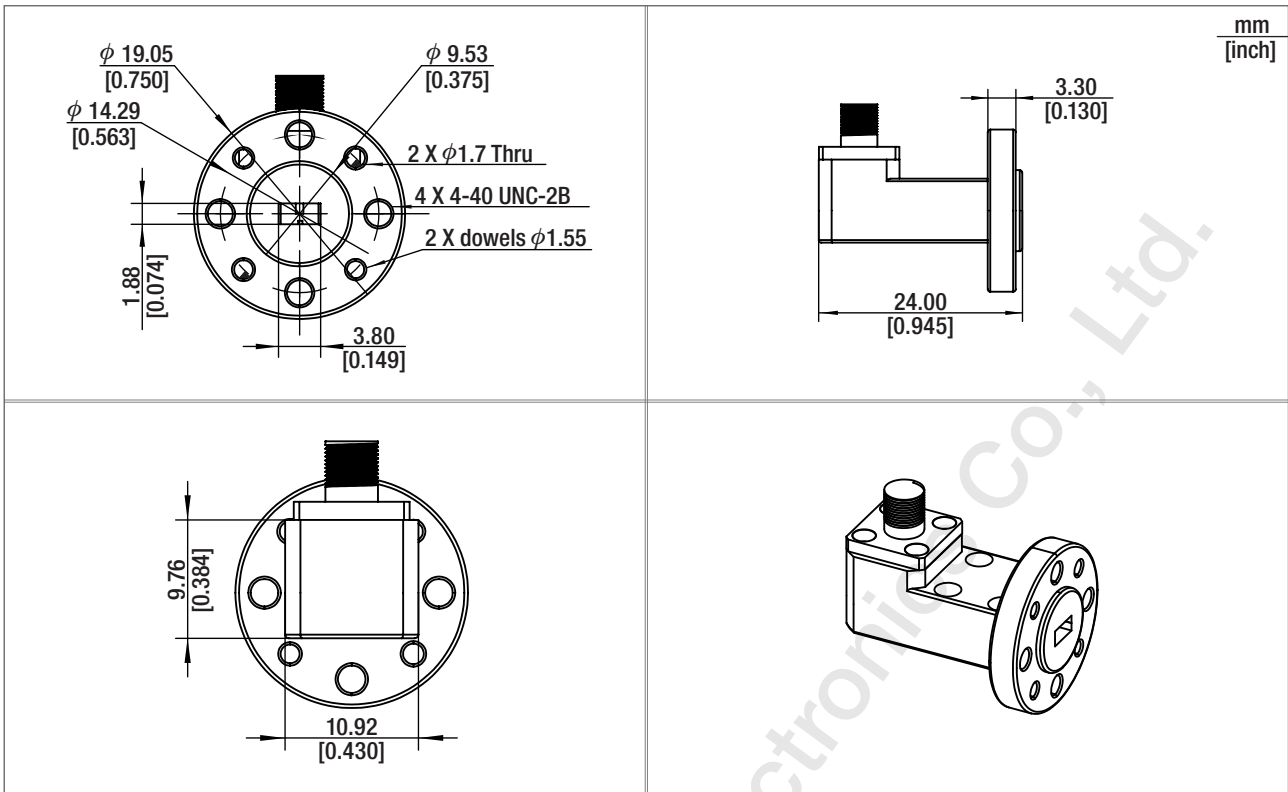


Hangzhou Multipath Electronics Co., Ltd., Zhejiang, China

## ⚙️ Product specifications

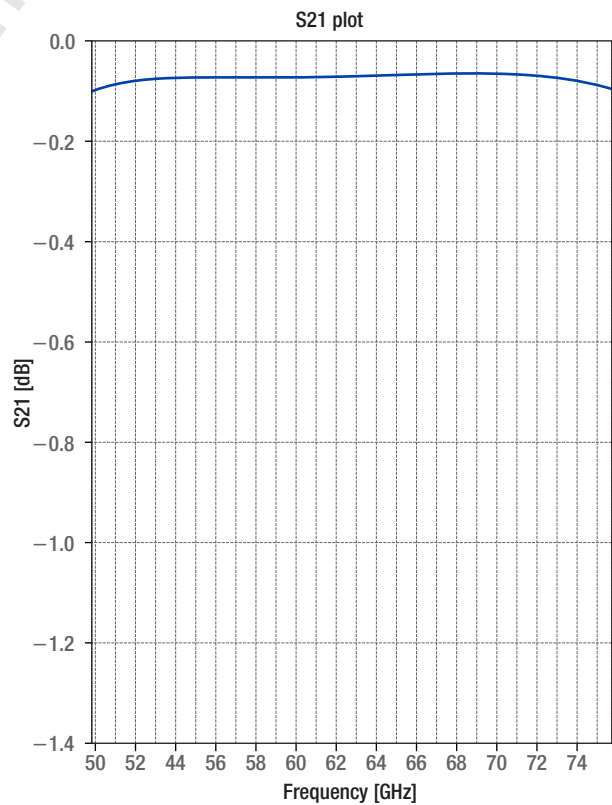
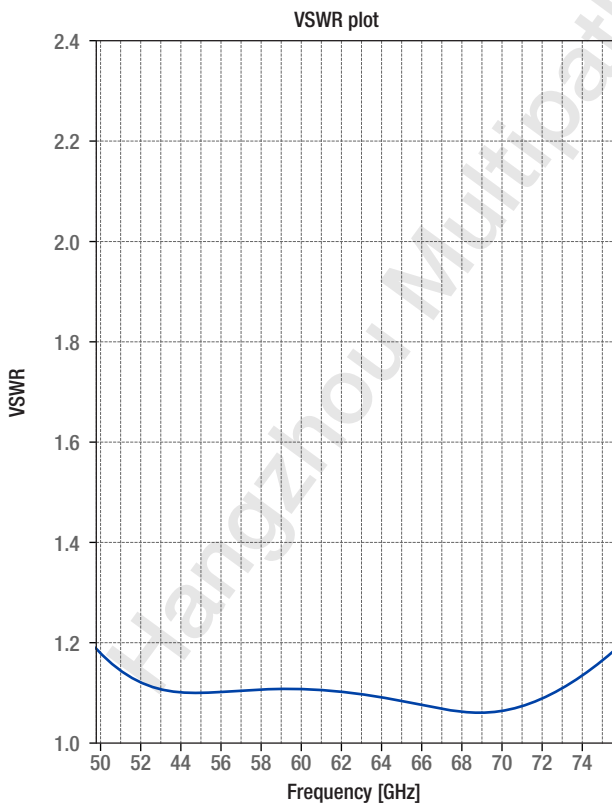
Part number	WR15-1.0-F	Insertion loss [dB]	0.10 Typ.
Frequency range [GHz]	49.8 – 75.8	VSWR	1.10 Typ.
Waveguide band	WR15	Flange	FUGP620 (UG-385/U)
RF connector	1.0-Female	Average power [W CW]	3 Max.
Dimensions (H x W x L) [mm; inch]	19.05 x 19.05 x 24.00; 0.75 x 0.75 x 0.95	Peak power [KW]	0.005
Weight (approx.) [kg; lb]	0.02; 0.044	Impedance [Ohms]	50
Material	Cu (Gold plated)		

## Outline dimensions



## Electrical characteristics

### • VSWR & S21



• Data table

Frequency [GHz]	VSWR	S21 [dB]
50	1.18	-0.10
51	1.15	-0.08
52	1.12	-0.08
53	1.11	-0.07
54	1.10	-0.07
55	1.10	-0.07
56	1.11	-0.07
57	1.11	-0.07
58	1.11	-0.07
59	1.11	-0.07
60	1.11	-0.07
61	1.10	-0.07
62	1.10	-0.07
63	1.10	-0.07
64	1.09	-0.07
65	1.08	-0.07
66	1.07	-0.06
67	1.07	-0.06
68	1.06	-0.06
69	1.06	-0.06
70	1.06	-0.06
71	1.07	-0.06
72	1.09	-0.07
73	1.11	-0.07
74	1.13	-0.08
75	1.16	-0.09



Multipath Electronics

**Contact**

-  +86-571-56201039
-  sales@multipath.cn
-  <https://www.multipath-electron.com>
-  Technical specifications in this datasheet are subject to change without notice. Actual products may differ from the shown images.