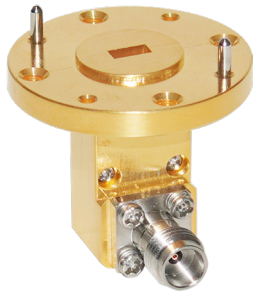


Orthogonal Coaxial Adapters

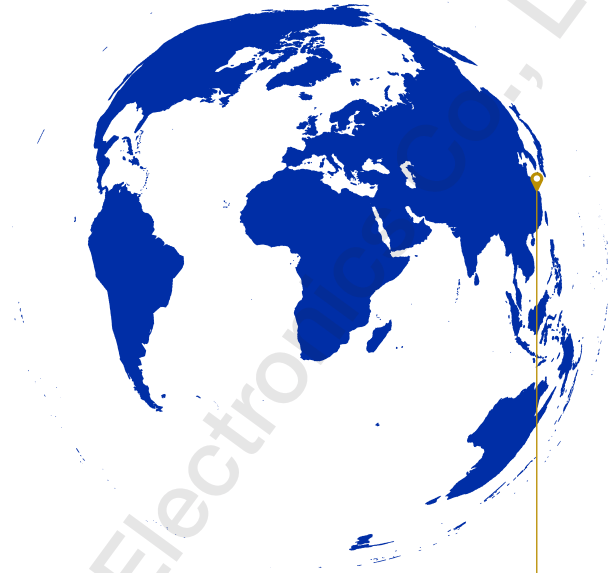
39.2 - 59.6 GHz



QR code



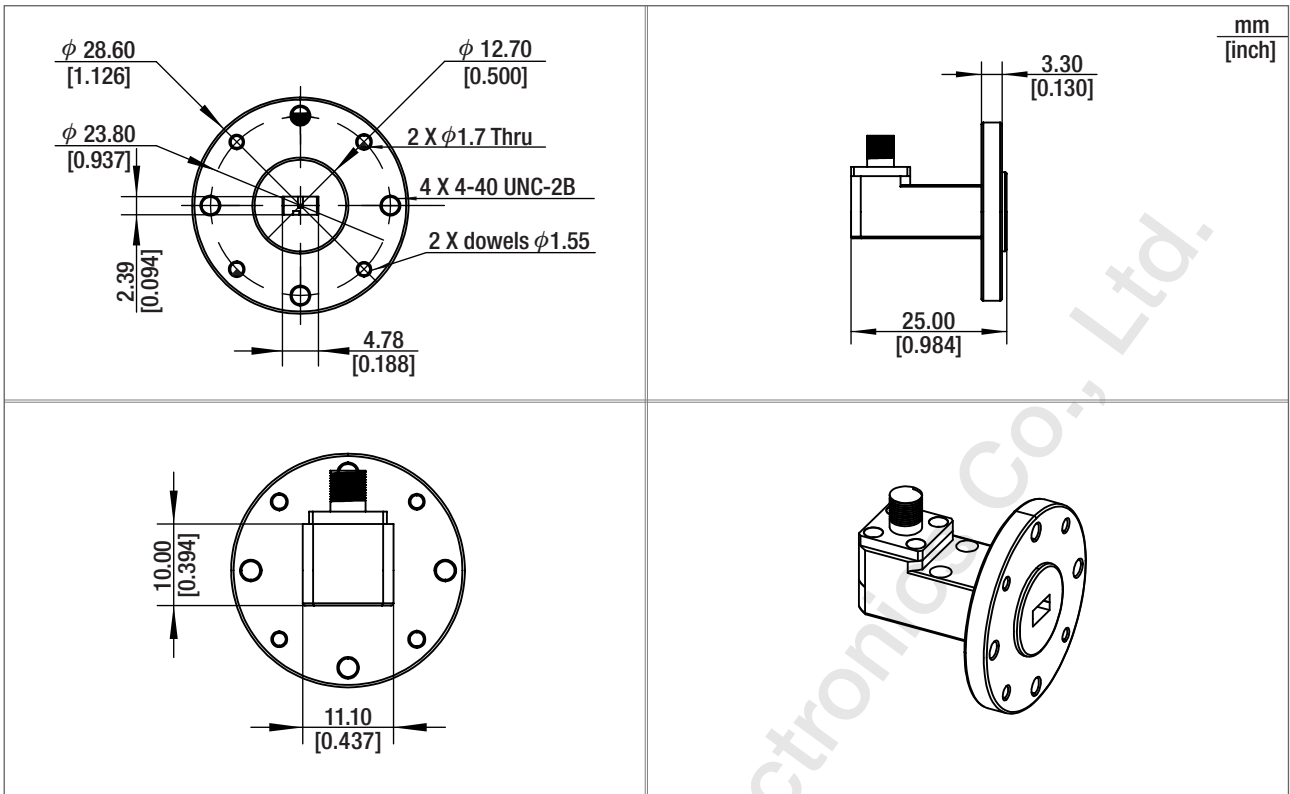
Hangzhou Multipath Electronics Co., Ltd., Zhejiang, China



⚙️ Product specifications

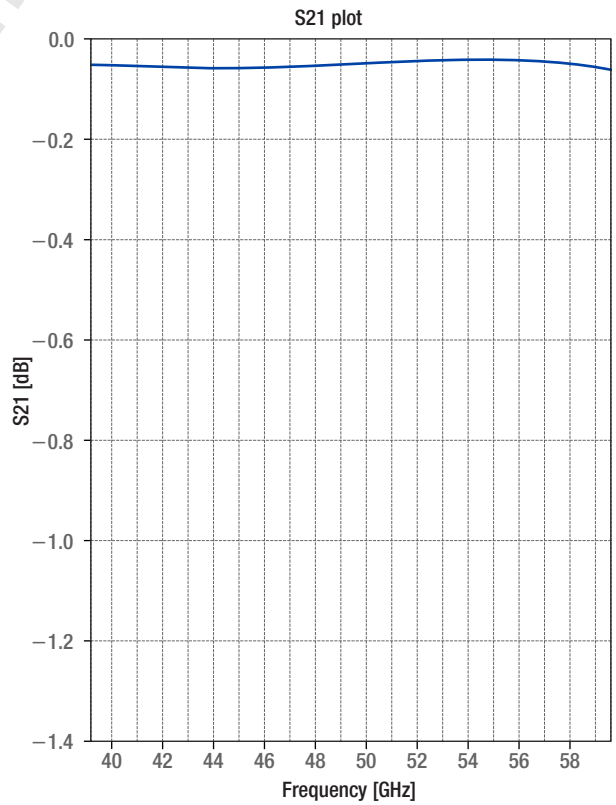
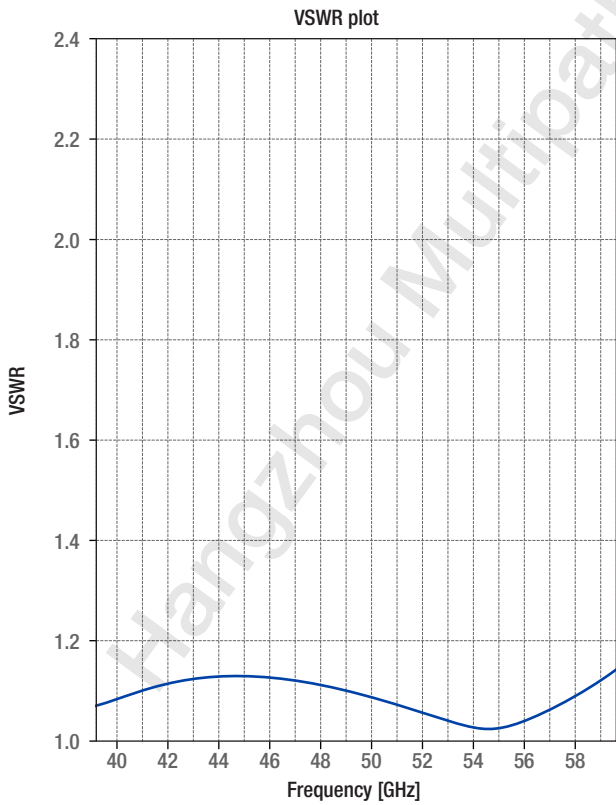
Part number	WR19-1.85-F	Insertion loss [dB]	0.10 Typ.
Frequency range [GHz]	39.2 – 59.6	VSWR	1.10 Typ.
Waveguide band	WR19	Flange	FUGP500 (UG-383/U-M)
RF connector	1.85-Female	Average power [W CW]	5 Max.
Dimensions (H x W x L) [mm; inch]	28.6 x 28.6 x 25.00; 1.13 x 1.13 x 0.98	Peak power [KW]	0.01
Weight (approx.) [kg; lb]	0.04; 0.088	Impedance [Ohms]	50
Material	Cu (Gold plated)		

Outline dimensions



Electrical characteristics

• VSWR & S21



• Data table

Frequency [GHz]	VSWR	S21 [dB]
40	1.08	-0.05
41	1.10	-0.05
42	1.11	-0.05
43	1.12	-0.06
44	1.13	-0.06
45	1.13	-0.06
46	1.13	-0.06
47	1.12	-0.05
48	1.11	-0.05
49	1.10	-0.05
50	1.09	-0.05
51	1.07	-0.04
52	1.05	-0.04
53	1.04	-0.04
54	1.02	-0.04
55	1.02	-0.04
56	1.04	-0.04
57	1.06	-0.04
58	1.09	-0.05
59	1.12	-0.05



Multipath Electronics

Contact

+86-571-56201039

sales@multipath.cn

<https://www.multipath-electron.com>

Technical specifications in this datasheet are subject to change without notice.
Actual products may differ from the shown images.