



Orthogonal Coaxial Adapters

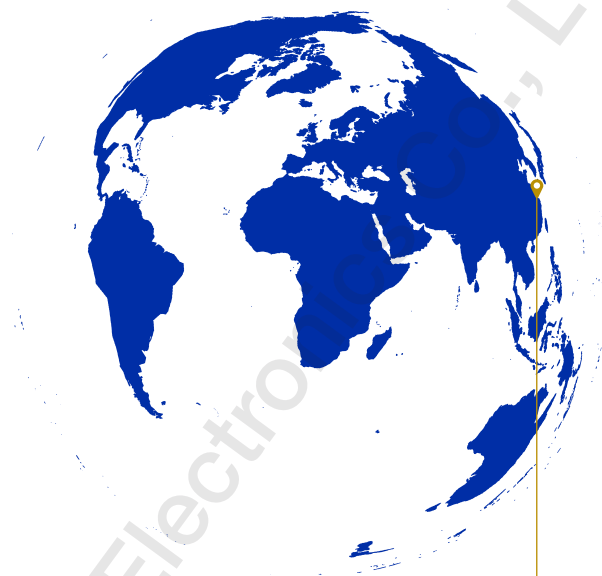
32.9 - 50.1 GHz



QR code



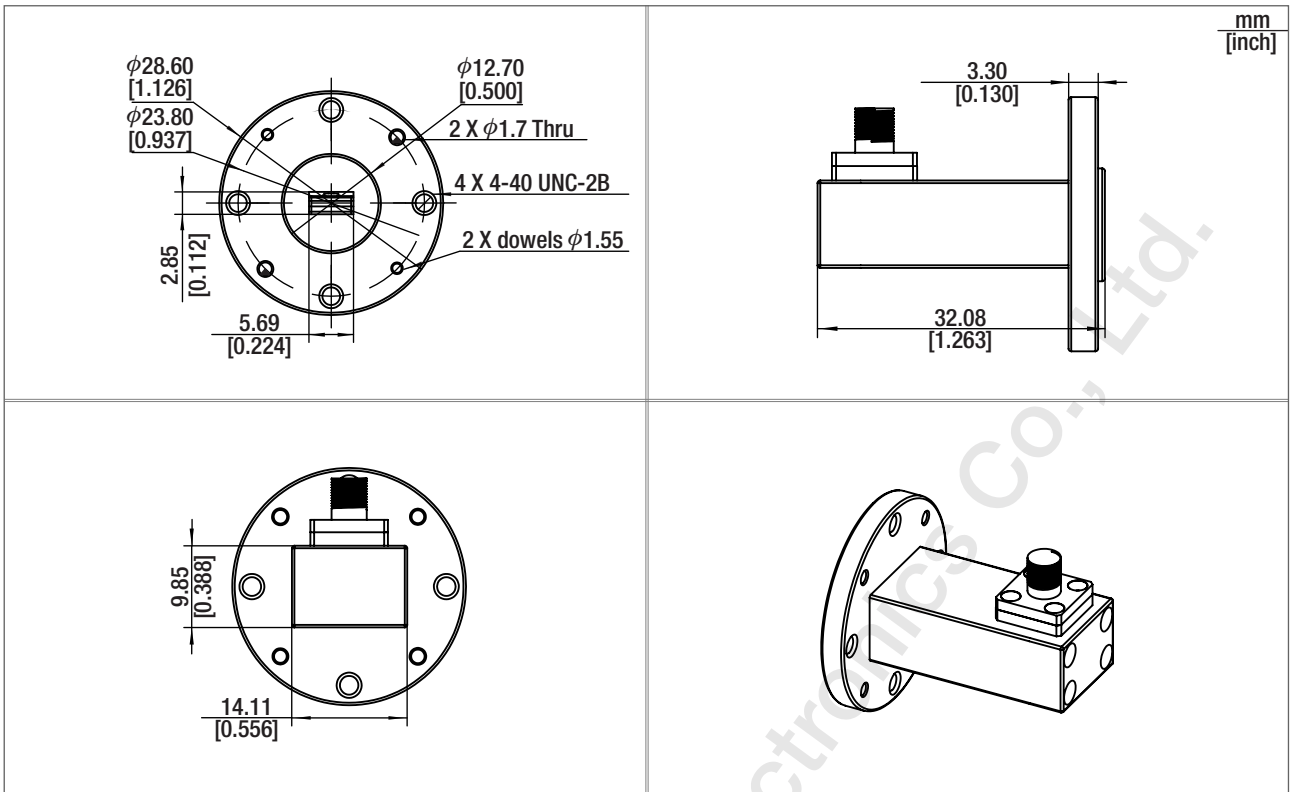
Hangzhou Multipath Electronics Co., Ltd., Zhejiang, China



⚙️ Product specifications

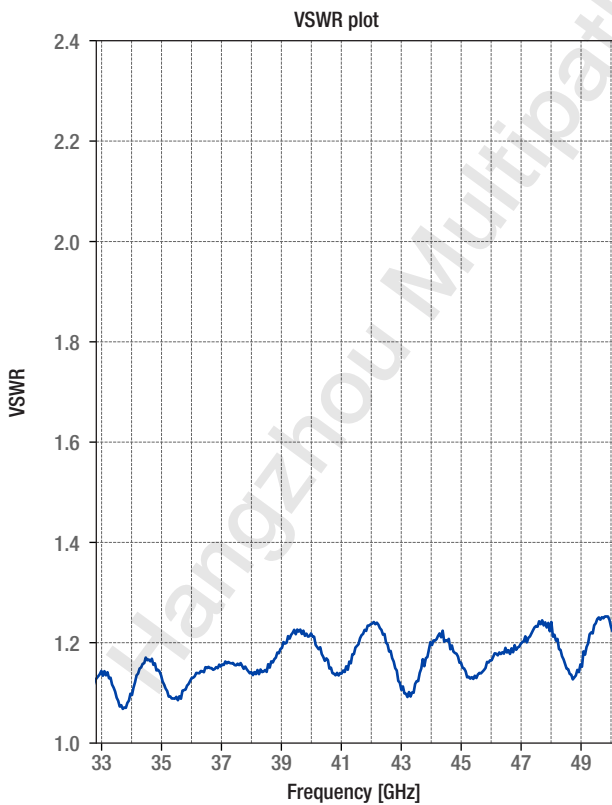
Part number	WR22-2.4-F	Insertion loss [dB]	0.55 Typ.
Frequency range [GHz]	32.9– 50.1	VSWR	1.20 Typ.
Waveguide band	WR22	Flange	FUGP400(UG-383/U)
RF connector	2.4-Female	Average power [W CW]	10 Max.
Dimensions (H x W x L) [mm; inch]	28.6 x 28.6 x 32.08; 1.13 x 1.13 x 1.29	Peak power [KW]	0.02
Weight (approx.) [kg; lb]	0.02; 0.044	Impedance [Ohms]	50
Material	Aluminum		

Outline dimensions



Electrical characteristics

• VSWR & S21



• Data table

Frequency [GHz]	VSWR	S21 [dB]
33	1.13	-0.45
34	1.08	-0.44
35	1.15	-0.44
36	1.12	-0.43
37	1.16	-0.43
38	1.14	-0.45
39	1.19	-0.45
40	1.22	-0.51
41	1.14	-0.48
42	1.24	-0.55
43	1.11	-0.47
44	1.21	-0.54
45	1.15	-0.55
46	1.18	-0.56
47	1.22	-0.64
48	1.21	-0.62
49	1.19	-0.71
50	1.19	-0.70



Multipath Electronics

Contact

+86-571-56201039

sales@multipath.cn

<https://www.multipath-electron.com>

Technical specifications in this datasheet are subject to change without notice.
Actual products may differ from the shown images.