



Orthogonal Coaxial Adapters

21.7 - 33.0 GHz



QR code

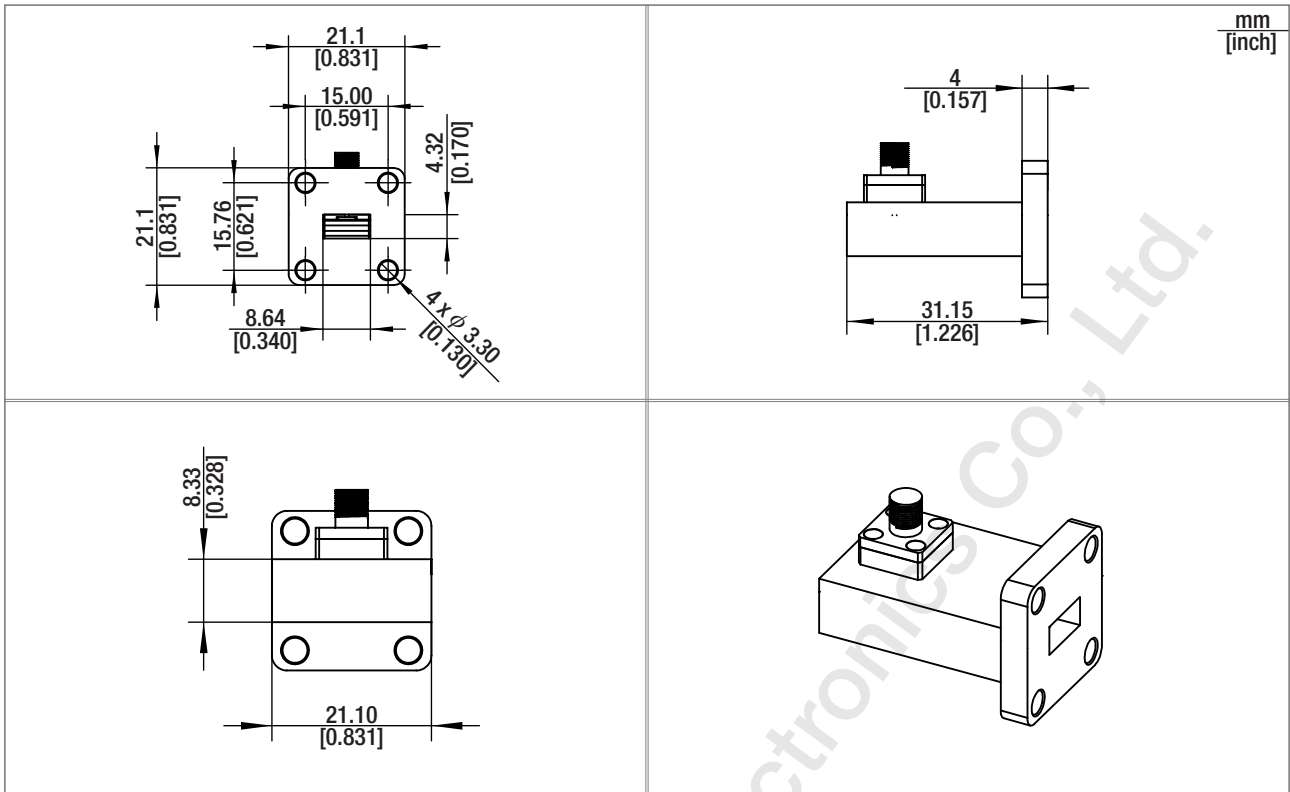


Hangzhou Multipath Electronics Co., Ltd., Zhejiang, China

⚙️ Product specifications

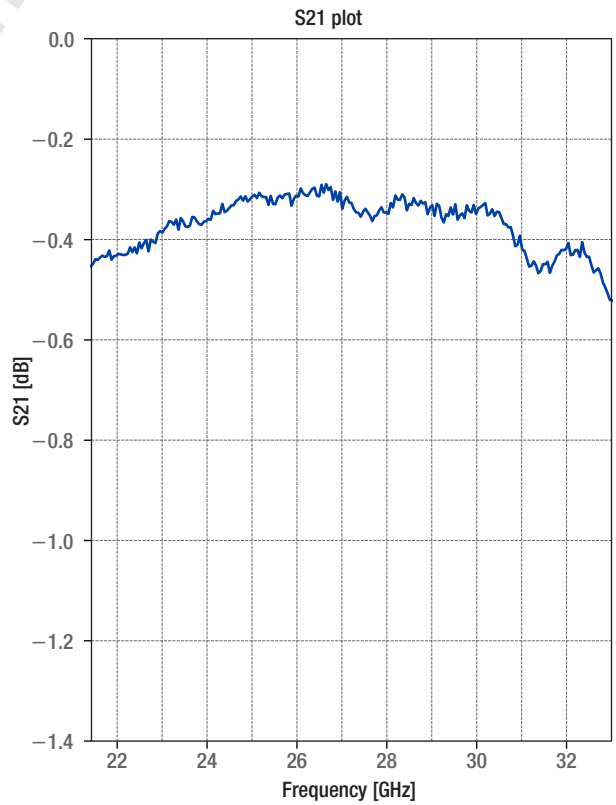
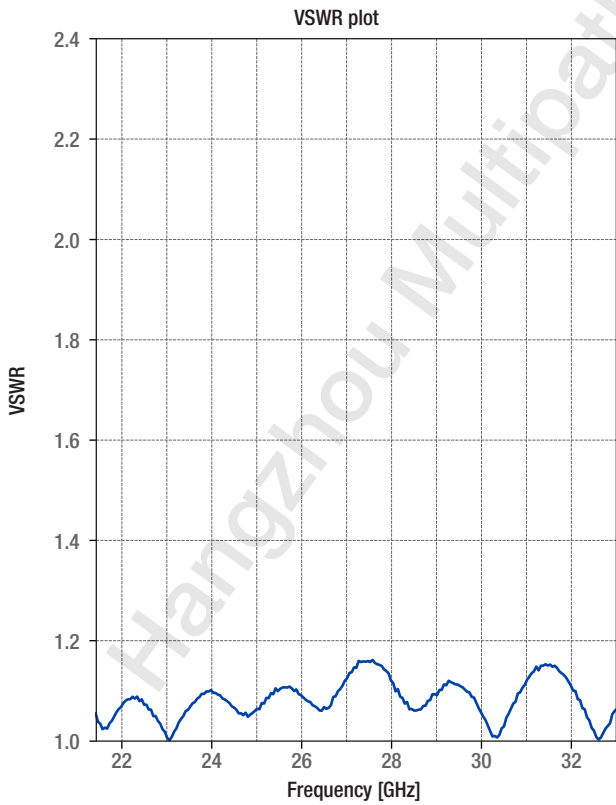
Part number	WR34-2.4-F	Insertion loss [dB]	0.40 Typ.
Frequency range [GHz]	21.7– 33.0	VSWR	1.10 Typ.
Waveguide band	WR34	Flange	FBP260(UBR260)
RF connector	2.4-Female	Average power [W CW]	10 Max.
Dimensions (H x W x L) [mm; inch]	21.1 x 21.1 x 31.15; 0.83 x 0.83 x 1.23	Peak power [KW]	0.02
Weight (approx.) [kg; lb]	0.02; 0.044	Impedance [Ohms]	50
Material	Aluminum		

Outline dimensions



Electrical characteristics

• VSWR & S21



• Data table

Frequency [GHz]	VSWR	S21 [dB]
22.0	1.03	-0.44
22.5	1.09	-0.44
23.0	1.05	-0.41
23.5	1.03	-0.38
24.0	1.09	-0.37
24.5	1.08	-0.35
25.0	1.05	-0.33
25.5	1.09	-0.32
26.0	1.10	-0.31
26.5	1.06	-0.30
27.0	1.10	-0.31
27.5	1.16	-0.35
28.0	1.14	-0.34
28.5	1.06	-0.32
29.0	1.09	-0.35
29.5	1.11	-0.34
30.0	1.06	-0.34
30.5	1.02	-0.35
31.0	1.11	-0.40
31.5	1.15	-0.46
32.0	1.11	-0.43
32.5	1.02	-0.44
33.0	1.06	-0.53



Multipath Electronics

Contact

-  +86-571-56201039
-  sales@multipath.cn
-  <https://www.multipath-electron.com>
-  Technical specifications in this datasheet are subject to change without notice. Actual products may differ from the shown images.