

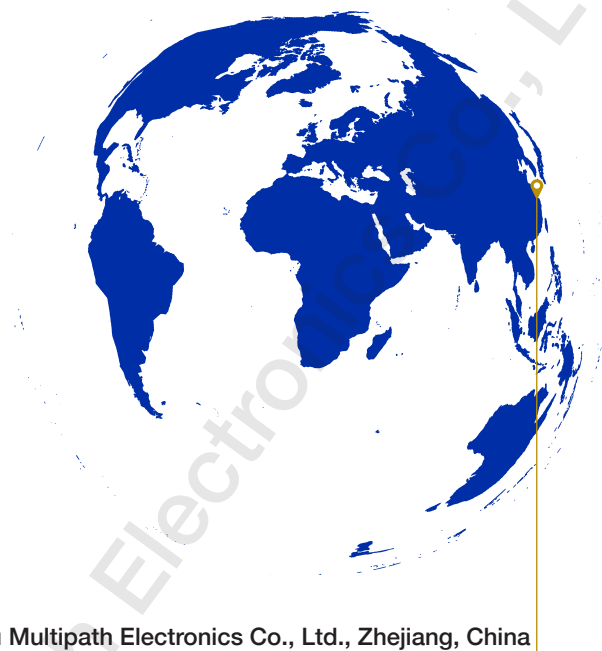


Orthogonal Coaxial Adapters

17.6 - 26.7 GHz



QR code

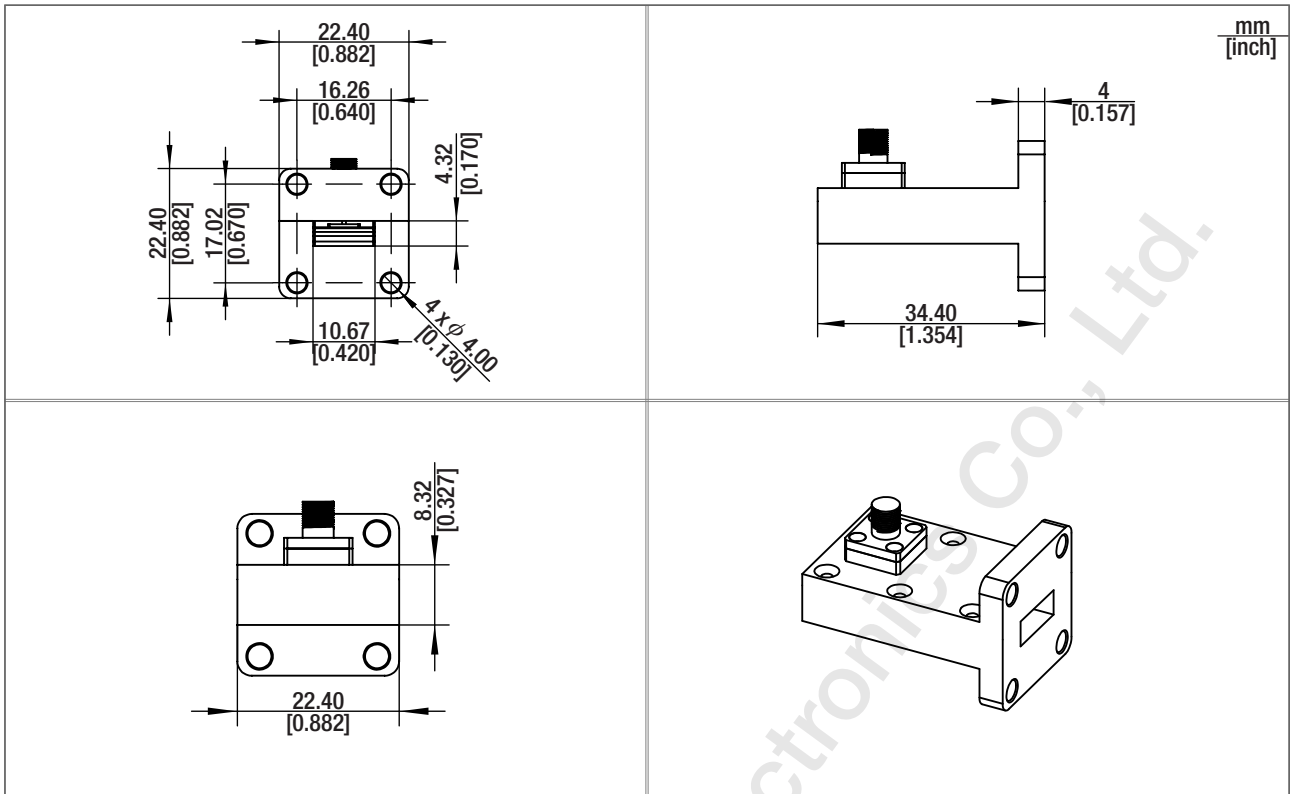


Hangzhou Multipath Electronics Co., Ltd., Zhejiang, China

⚙️ Product specifications

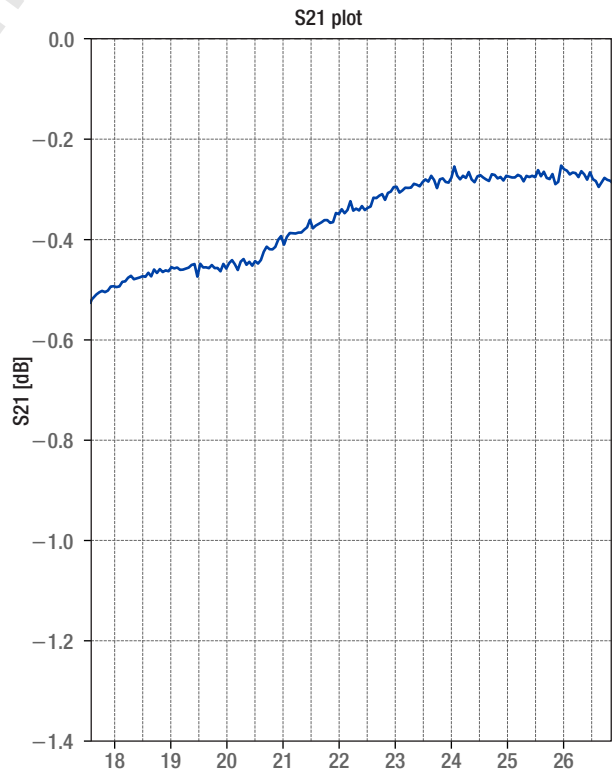
Part number	WR42-2.4-F	Insertion loss [dB]	0.30 Typ.
Frequency range [GHz]	17.6 – 26.7	VSWR	1.10 Typ.
Waveguide band	WR42	Flange	FBP220(UBR220)
RF connector	2.4-Female	Average power [W CW]	10 Max.
Dimensions (H x W x L) [mm; inch]	22.4 x 22.4 x 34.4; 0.88 x 0.88 x 1.35	Peak power [KW]	0.02
Weight (approx.) [kg; lb]	0.02; 0.044	Impedance [Ohms]	50
Material	Aluminum		

Outline dimensions



Electrical characteristics

• VSWR & S21



• Data table

Frequency [GHz]	VSWR	S21 [dB]
17.6	1.19	-0.54
17.9	1.17	-0.51
18.2	1.14	-0.49
18.5	1.12	-0.48
18.8	1.09	-0.47
19.1	1.06	-0.46
19.4	1.03	-0.46
19.7	1.03	-0.46
20.0	1.04	-0.45
20.3	1.04	-0.46
20.6	1.04	-0.43
20.9	1.02	-0.40
21.2	1.01	-0.39
21.5	1.04	-0.38
21.8	1.07	-0.37
22.1	1.07	-0.33
22.4	1.07	-0.34
22.7	1.06	-0.33
23.0	1.04	-0.31
23.3	1.03	-0.30
23.6	1.02	-0.30
23.9	1.03	-0.26
24.2	1.06	-0.28
24.5	1.07	-0.29
24.8	1.08	-0.28
25.1	1.06	-0.29
25.4	1.04	-0.28
25.7	1.02	-0.29
26.0	1.04	-0.27
26.3	1.06	-0.28
26.6	1.05	-0.29



Multipath Electronics

Contact

-  +86-571-56201039
-  sales@multipath.cn
-  <https://www.multipath-electron.com>
-  Technical specifications in this datasheet are subject to change without notice. Actual products may differ from the shown images.