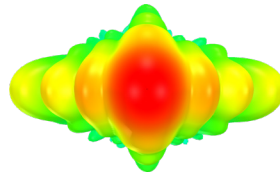




Standard Gain Horn Antennas

9.84 - 15.0 GHz, 20 dBi

Radiation pattern



QR code



Hangzhou Multipath Electronics Co., Ltd., Zhejiang, China

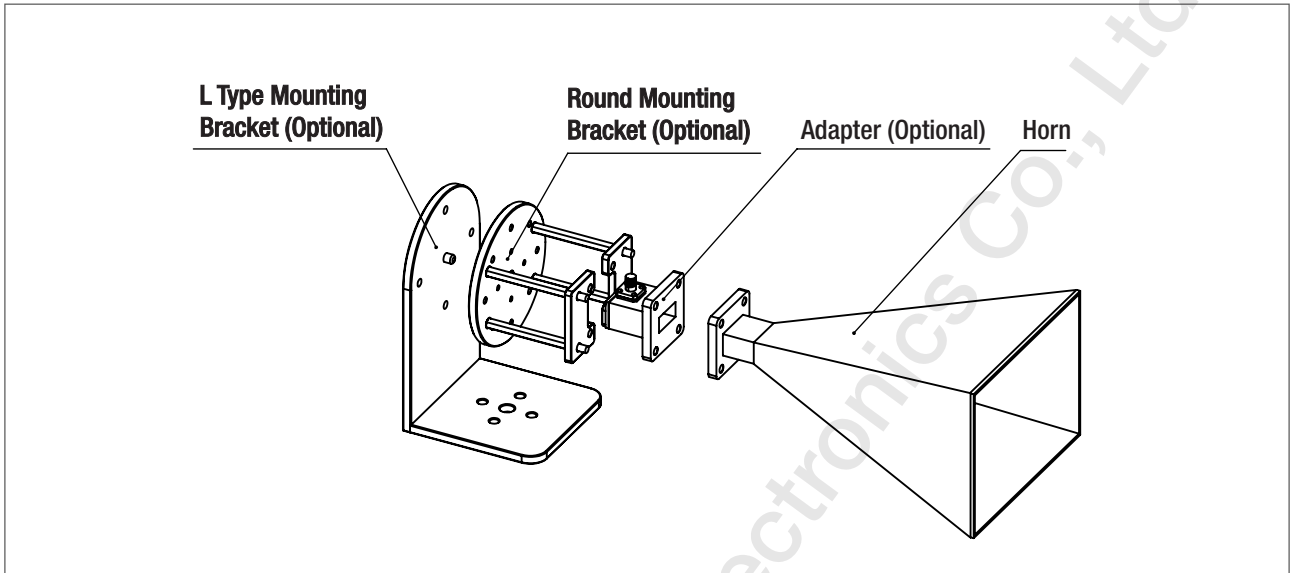
⚙️ Product specifications

Part number	HA-WR75-20	Polarization	Single linear
Antenna type	Pyamidal horn	Gain [dBi]	20 Typ.
Frequency range [GHz]	9.84 – 15.0	3dB beamwidth [deg]	E-plane: 16 Typ. H-plane: 17 Typ.
Waveguide band	WR75	Cross-polarization isolation [dB]	35 Typ.
Dimensions (H x W x L) [mm; inch]	123.0 x 91.0 x 214.73; 4.84 x 3.58 x 8.45	VSWR	1.25 Typ.
Weight (approx.) [kg; lb]	0.31; 0.683	Impedance [Ohms]	50
Material	Aluminum	RF connector	SMA-Female

Outline dimensions

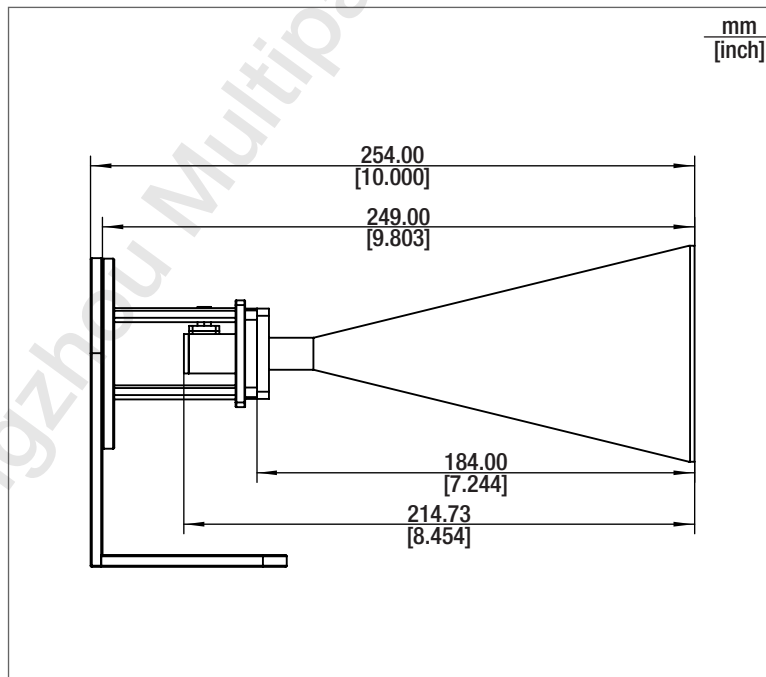
• Assembly dimensional drawing

Multipath Electronics provides complete standard gain horn antennas, forming mounting systems, integreted with (optional) waveguide to coaxial adapters, L type and round mounting brackets. The following figure shows the disassembly diagram of such a system.

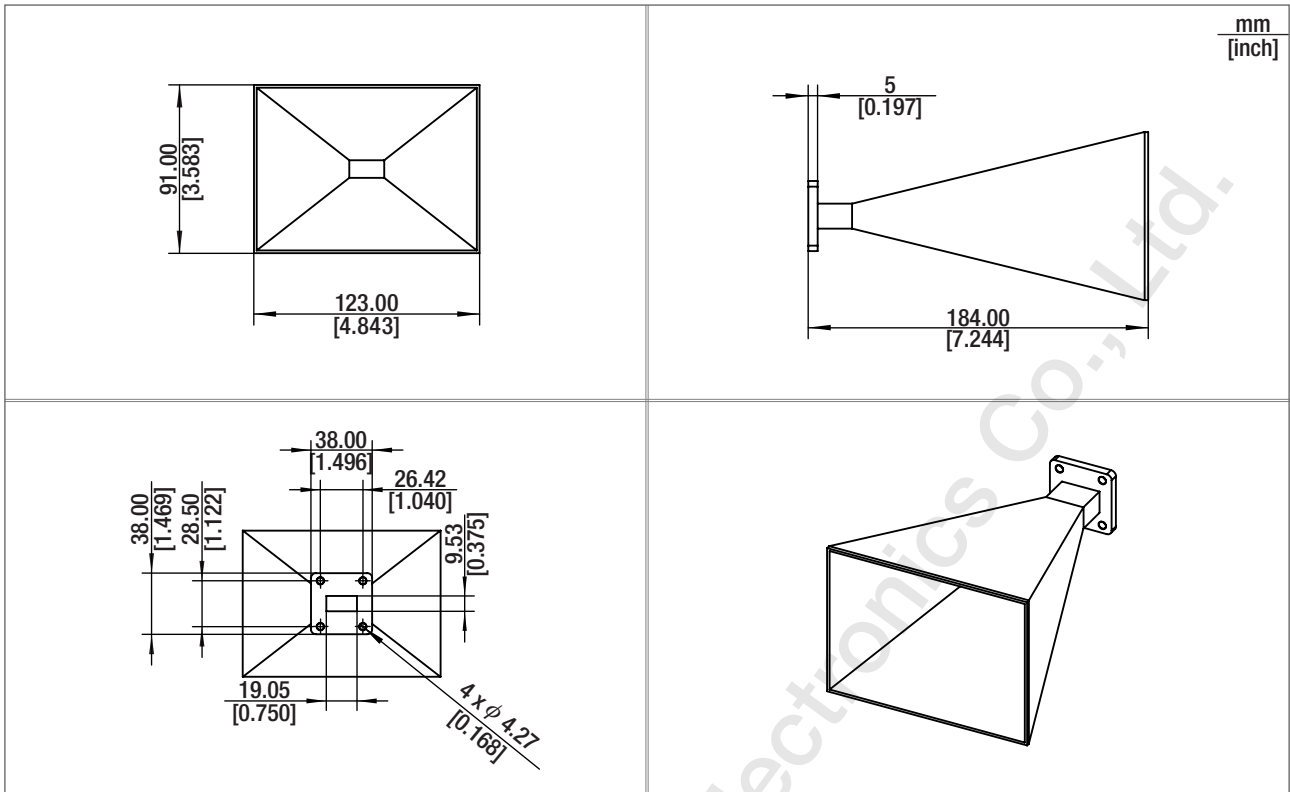


Side view of the mounting system.

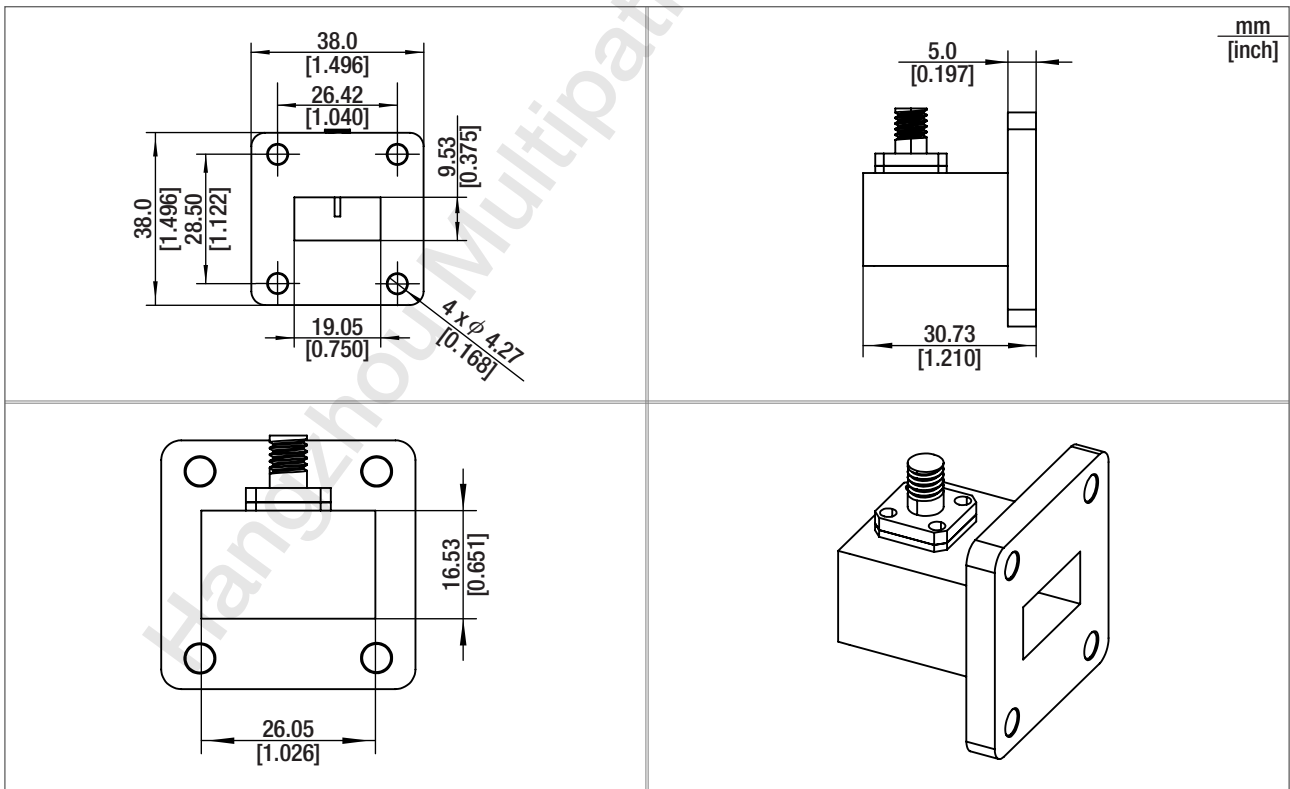
Detailed dimensions of the components will be given in subsequent diagrams.



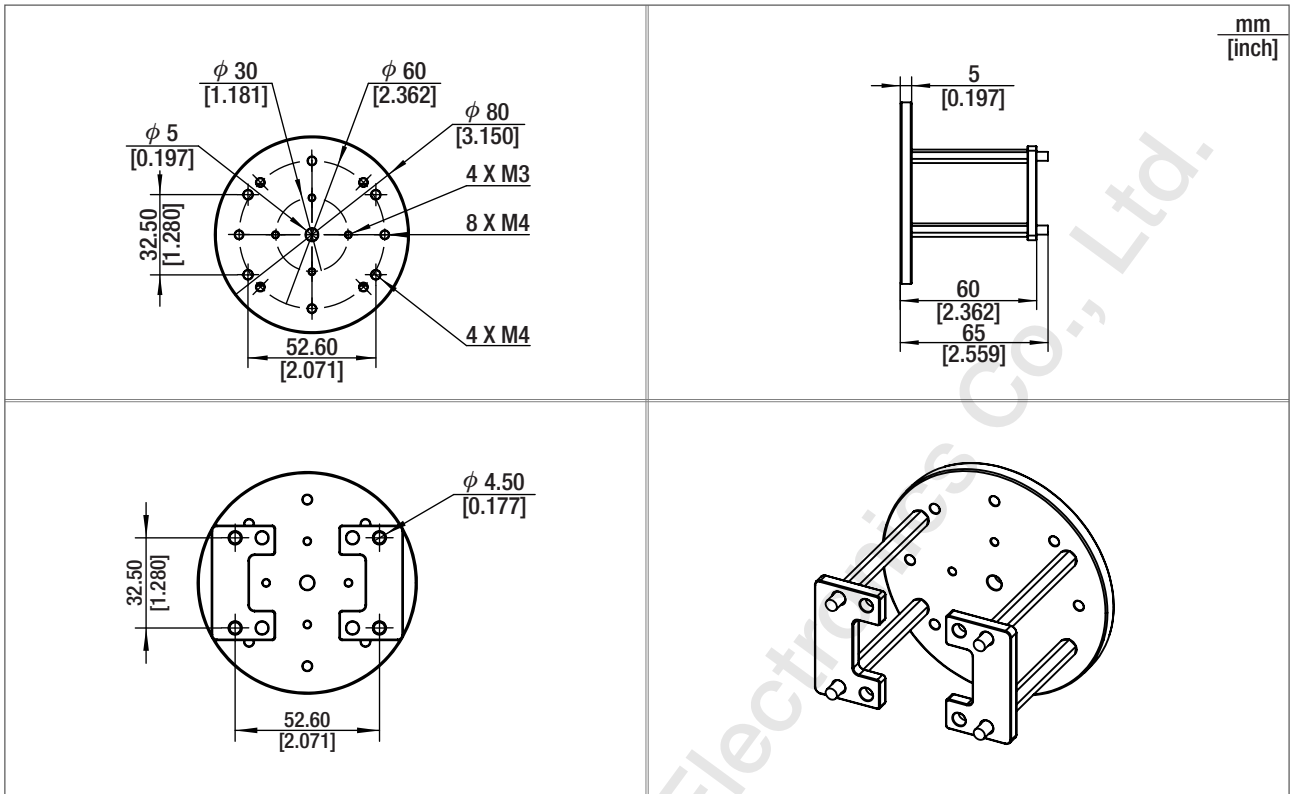
• Dimensional drawing: horn, HA-WR75-20



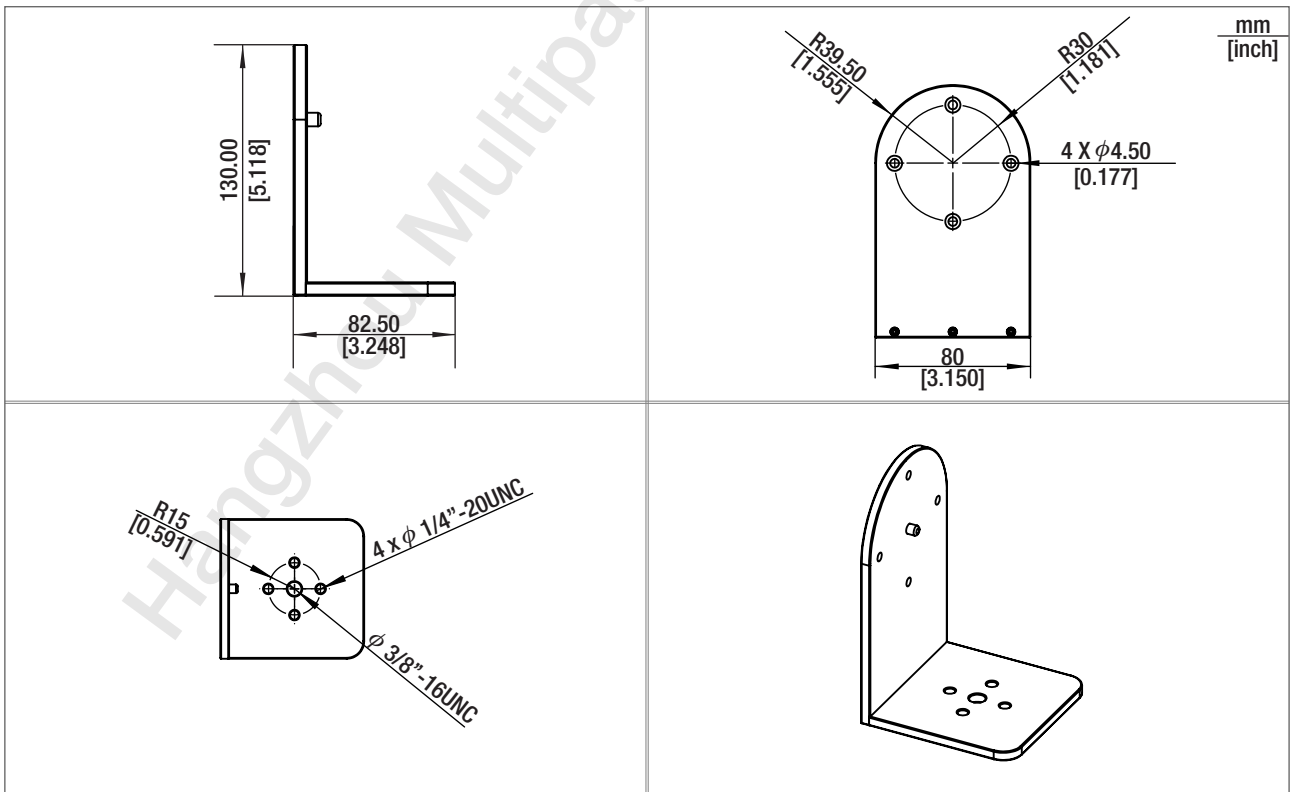
• Dimensional drawing: adapter, WR75-SMA-F (Optional)



• Dimensional drawing: round mounting bracket (Optional)

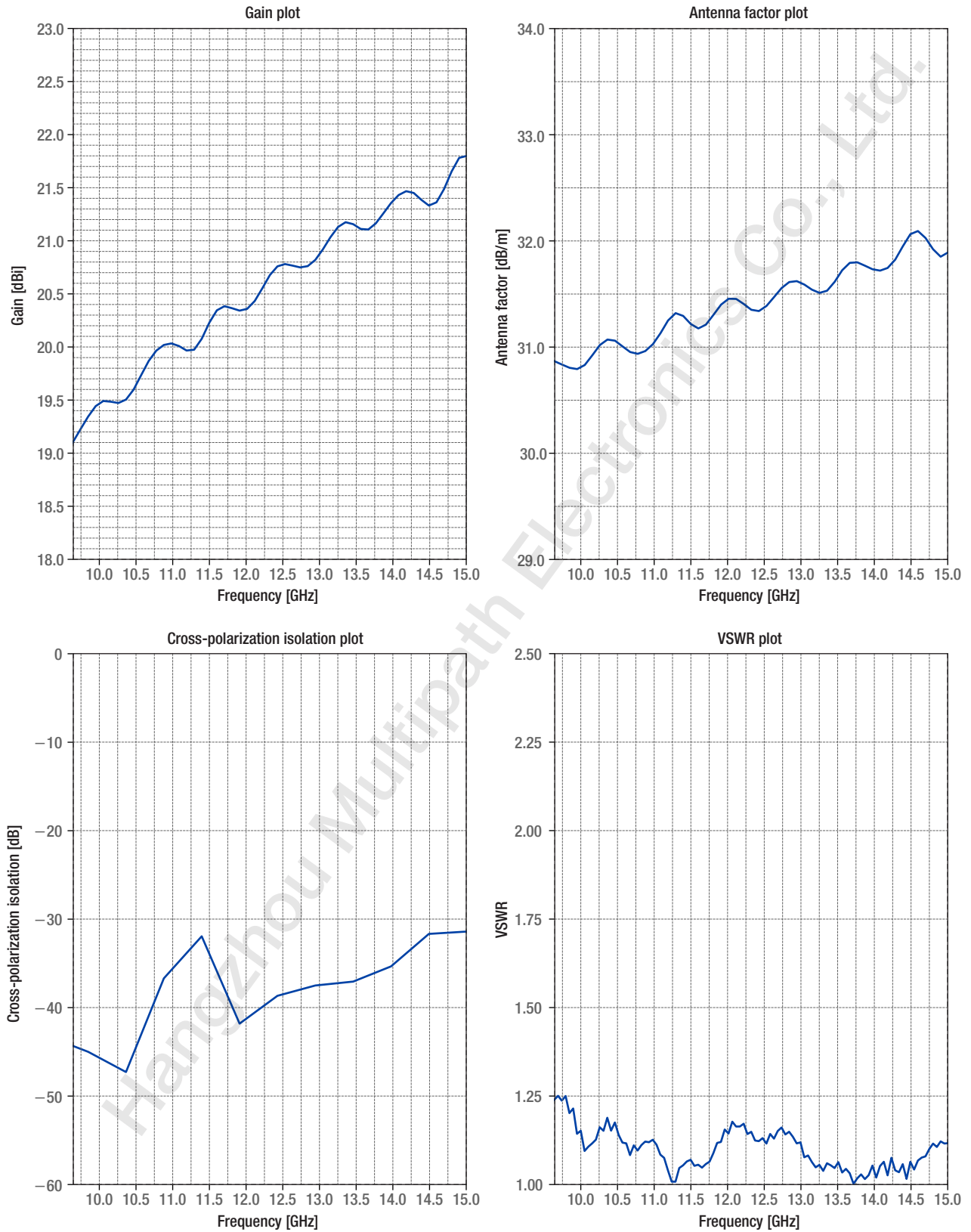


• Dimensional drawing: L type mounting bracket (Optional)



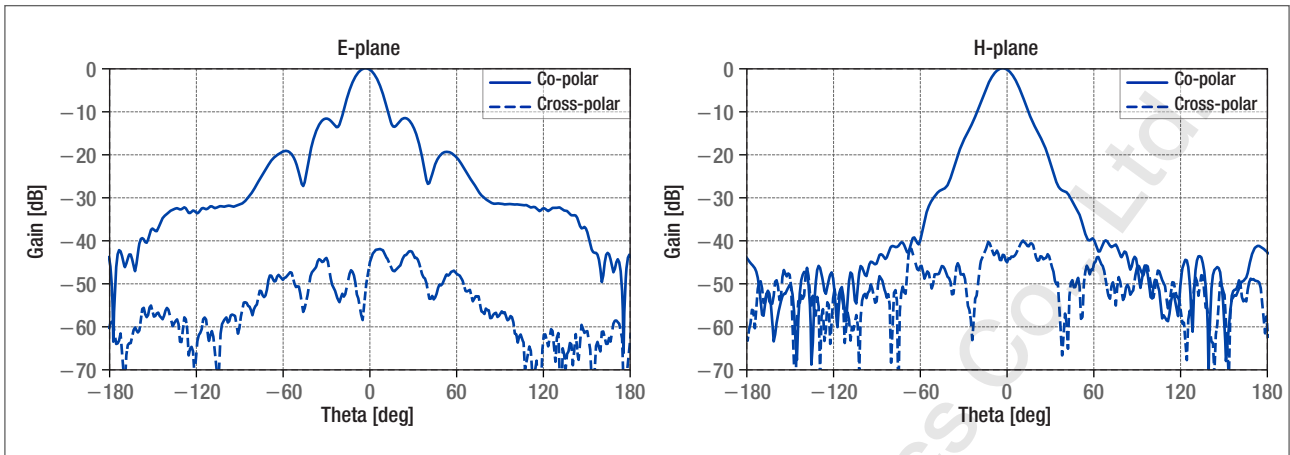
Electrical characteristics

Gain & Antenna factor & Cross-polarization isolation & VSWR

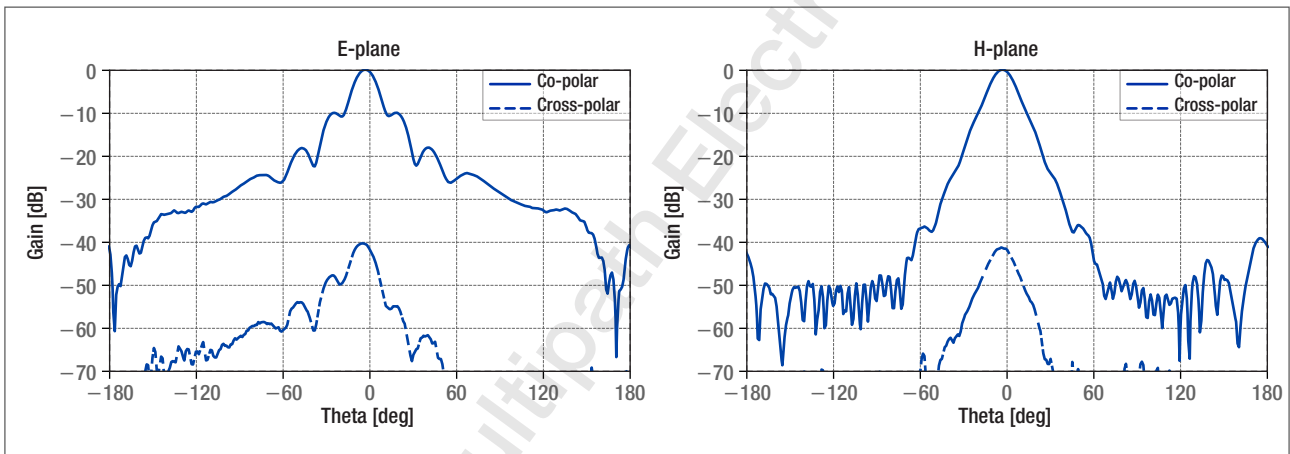


• Radiation patterns

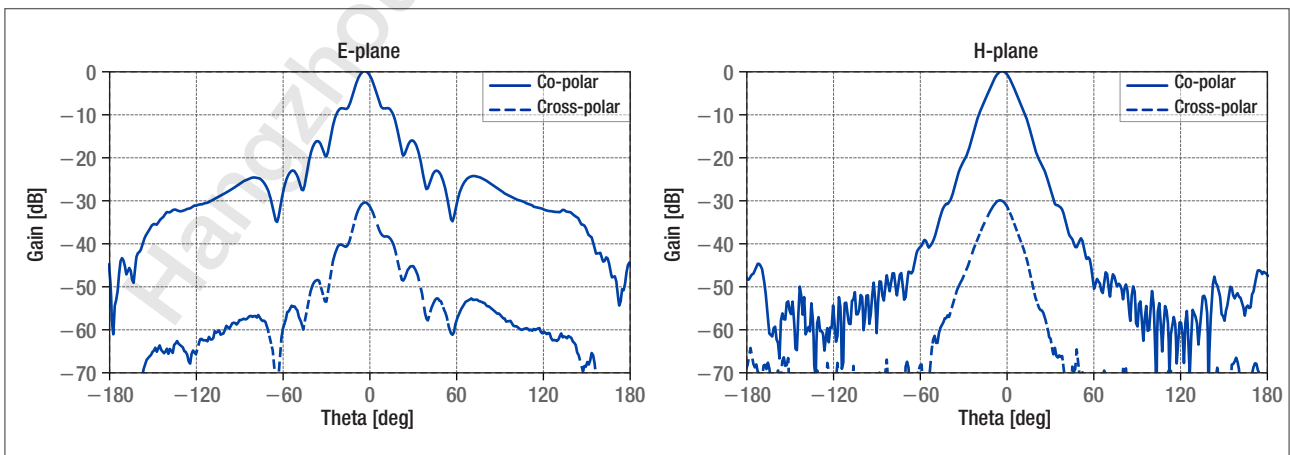
Patterns @ 10.0 GHz



Patterns @ 12.0 GHz



Patterns @ 15.0 GHz



• Data table

Frequency [GHz]	Gain [dBi]	Antenna factor [dB/m]	Cross-polarization isolation [dB]	VSWR
10.0	19.37	30.82	-44.78	1.20
10.3	19.51	30.94	-46.14	1.11
10.6	19.62	31.08	-44.95	1.17
10.9	19.99	30.95	-38.63	1.09
11.2	20.03	31.14	-34.63	1.08
11.5	20.10	31.31	-31.80	1.05
11.8	20.40	31.23	-37.69	1.06
12.1	20.38	31.47	-40.99	1.14
12.4	20.69	31.36	-39.11	1.15
12.7	20.78	31.48	-38.02	1.13
13.0	20.84	31.63	-37.33	1.11
13.3	21.14	31.52	-37.06	1.05
13.6	21.13	31.73	-36.55	1.03
13.9	21.27	31.78	-35.52	1.01
14.2	21.48	31.76	-33.72	1.02
14.5	21.35	32.07	-31.53	1.06
14.8	21.66	31.93	-31.37	1.11

Frequency [GHz]	E-plane, 3dB beamwidth	H-plane, 3dB beamwidth
10.0	17.46°	18.55°
12.0	14.98°	16.07°
15.0	12.31°	14.35°



Multipath Electronics

Contact

-  +86-571-56201039
-  sales@multipath.cn
-  <https://www.multipath-electron.com>
-  Technical specifications in this datasheet are subject to change without notice. Actual products may differ from the shown images.