

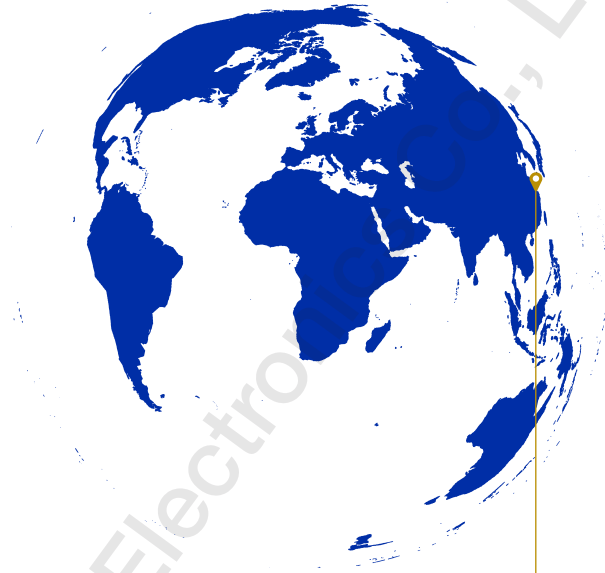


# Orthogonal Coaxial Adapters

11.9 - 18.0 GHz



QR code

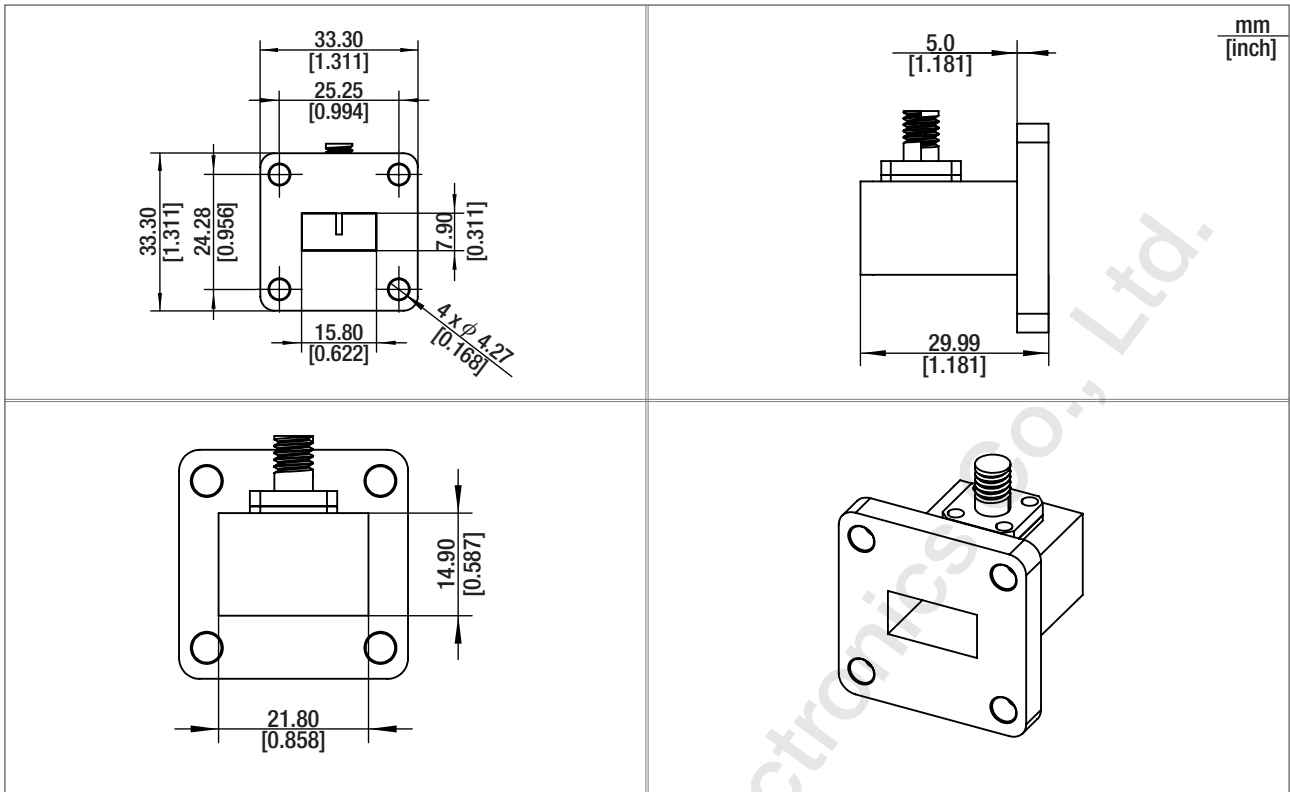


Hangzhou Multipath Electronics Co., Ltd., Zhejiang, China

## ⚙️ Product specifications

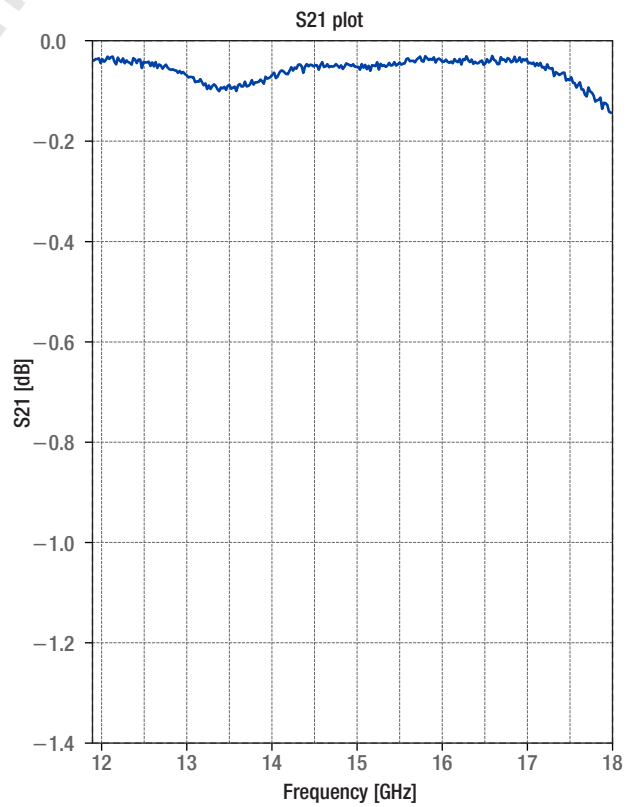
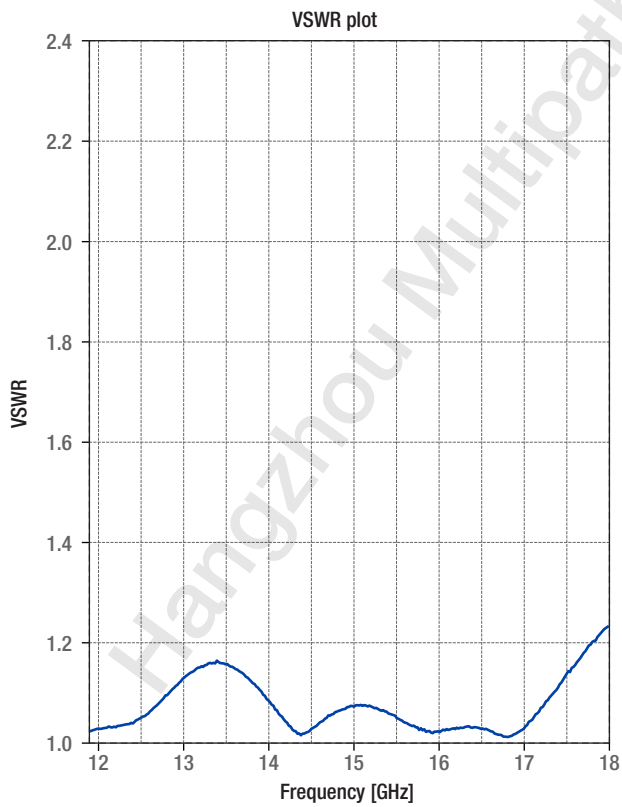
Part number	WR62-SMA-F	Insertion loss [dB]	0.10 Max.
Frequency range [GHz]	11.9 – 18.0	VSWR	1.10 Max.
Waveguide band	WR62	Flange	FBP140(UBR140)
RF connector	SMA-Female	Average power [W CW]	50 Max.
Dimensions (H x W x L) [mm; inch]	33.3 x 33.3 x 29.99; 1.31 x 1.31 x 1.18	Peak power [KW]	3
Weight (approx.) [kg; lb]	0.03; 0.07	Impedance [Ohms]	50
Material	Aluminum		

 Outline dimensions



 Electrical characteristics

• VSWR & S21



## • Data table

Frequency [GHz]	VSWR	S21 [dB]
12.0	1.02	-0.03
12.3	1.03	-0.04
12.6	1.05	-0.04
12.9	1.10	-0.05
13.2	1.14	-0.08
13.5	1.15	-0.09
13.8	1.12	-0.08
14.1	1.07	-0.07
14.4	1.01	-0.04
14.7	1.04	-0.04
15.0	1.07	-0.04
15.3	1.06	-0.05
15.6	1.04	-0.04
15.9	1.02	-0.03
16.2	1.02	-0.04
16.5	1.03	-0.03
16.8	1.01	-0.03
17.1	1.04	-0.04
17.4	1.10	-0.06
17.7	1.17	-0.10
18.0	1.22	-0.14



Multipath Electronics

### Contact

+86-571-56201039

sales@multipath.cn

<https://www.multipath-electron.com>

Technical specifications in this datasheet are subject to change without notice.  
Actual products may differ from the shown images.