



Orthogonal Coaxial Adapters

8.2 - 12.5 GHz



QR code

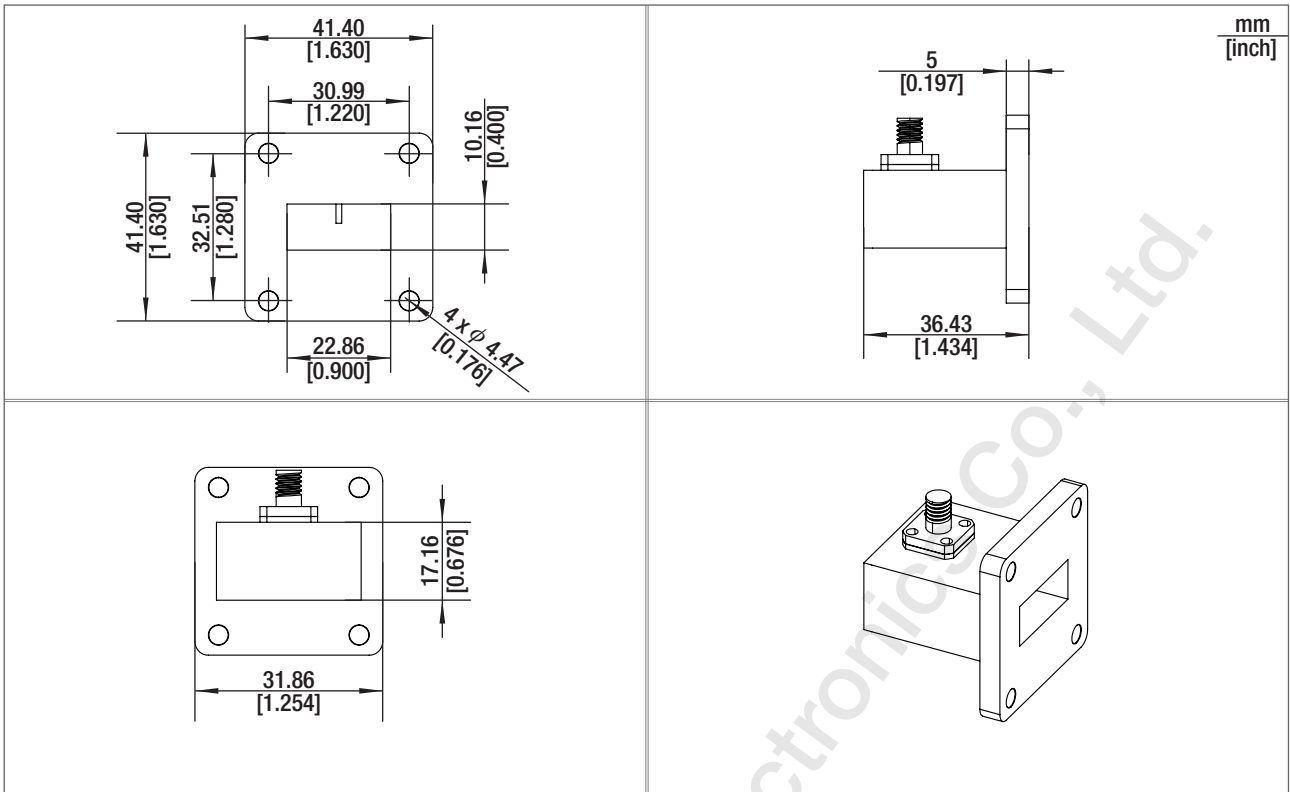


Hangzhou Multipath Electronics Co., Ltd., Zhejiang, China

⚙️ Product specifications

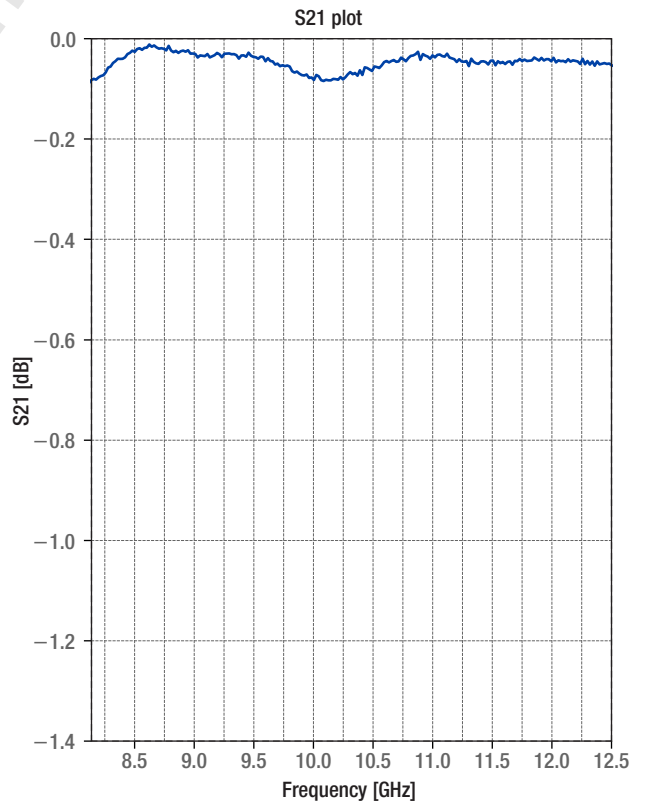
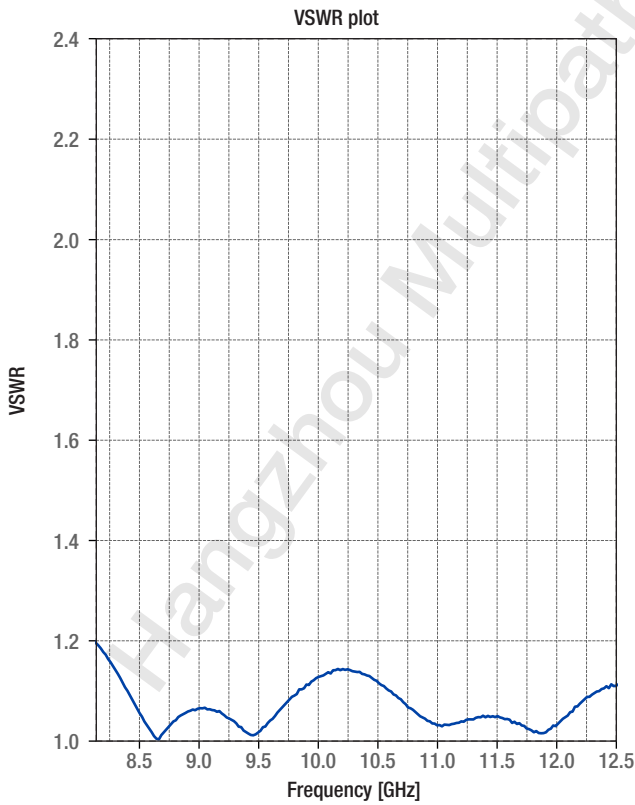
Part number	WR90-SMA-F	Insertion loss [dB]	0.05 Typ.
Frequency range [GHz]	8.2 – 12.5	VSWR	1.10 Typ.
Waveguide band	WR90	Flange	FBP100(UBR100)
RF connector	SMA-Female	Average power [W CW]	50 Max.
Dimensions (H x W x L) [mm; inch]	41.4 x 41.4 x 36.43; 1.63 x 1.63 x 1.43	Peak power [KW]	3
Weight (approx.) [kg; lb]	0.05; 0.110	Impedance [Ohms]	50
Material	Aluminum		

Outline dimensions



Electrical characteristics

• VSWR & S21



• Data table

Frequency [GHz]	VSWR	S21 [dB]
8.2	1.19	-0.08
8.4	1.12	-0.04
8.6	1.03	-0.02
8.8	1.02	-0.02
9.0	1.06	-0.02
9.2	1.05	-0.03
9.4	1.02	-0.03
9.6	1.02	-0.03
9.8	1.08	-0.05
10.0	1.12	-0.08
10.2	1.14	-0.08
10.4	1.13	-0.07
10.6	1.10	-0.05
10.8	1.06	-0.04
11.0	1.03	-0.04
11.2	1.03	-0.04
11.4	1.05	-0.05
11.6	1.04	-0.04
11.8	1.02	-0.04
12.0	1.02	-0.04
12.2	1.07	-0.04
12.4	1.10	-0.05



Multipath Electronics

Contact

+86-571-56201039

sales@multipath.cn

<https://www.multipath-electron.com>

Technical specifications in this datasheet are subject to change without notice. Actual products may differ from the shown images.