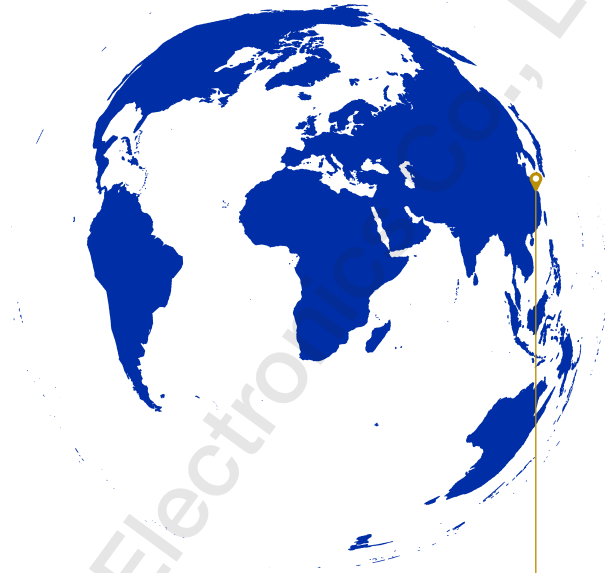


Orthogonal Coaxial Adapters

14.5 - 22.0 GHz



QR code

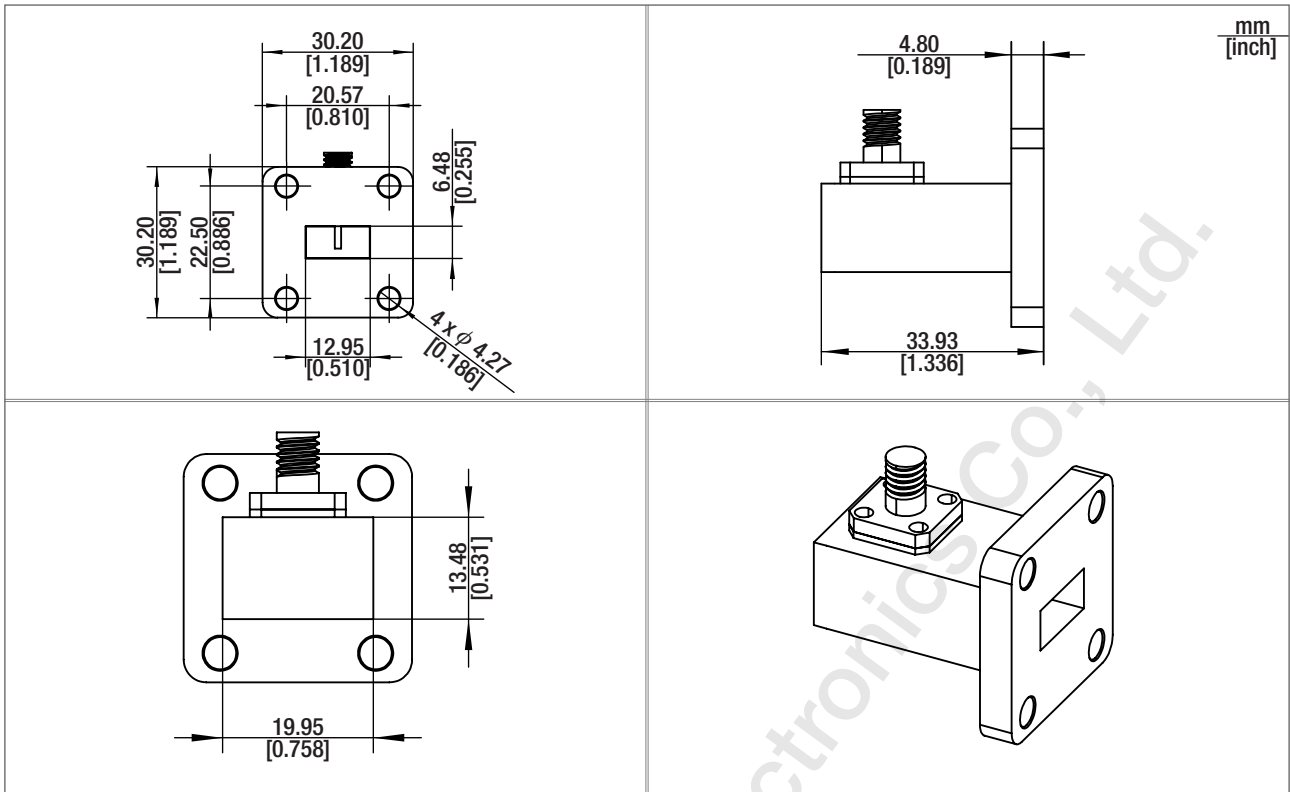


Hangzhou Multipath Electronics Co., Ltd., Zhejiang, China

Product specifications

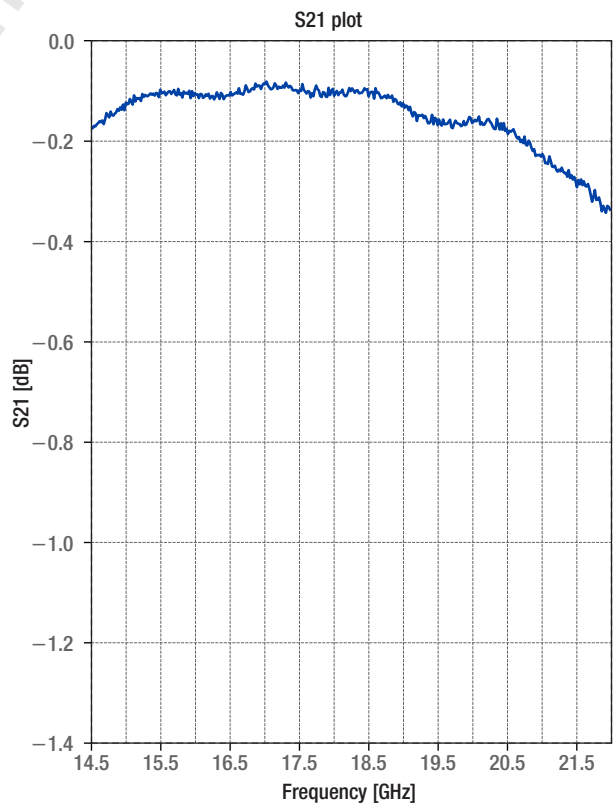
Part number	WR51-SMA-F	Insertion loss [dB]	0.20 Max.
Frequency range [GHz]	14.5 – 22.0	VSWR	1.10 Max.
Waveguide band	WR51	Flange	FBP180(UBR180)
RF connector	SMA-Female	Average power [W CW]	50 Max.
Dimensions (H x W x L) [mm; inch]	30.2 x 30.2 x 33.93; 1.19 x 1.19 x 1.34	Peak power [KW]	3
Weight (approx.) [kg; lb]	0.03; 0.07	Impedance [Ohms]	50
Material	Aluminum		

Outline dimensions



Electrical characteristics

• VSWR & S21



• Data table

Frequency [GHz]	VSWR	S21 [dB]
14.5	1.20	-0.17
14.8	1.15	-0.14
15.1	1.08	-0.10
15.4	1.02	-0.10
15.7	1.03	-0.10
16.0	1.07	-0.10
16.3	1.09	-0.10
16.6	1.08	-0.10
16.9	1.04	-0.08
17.2	1.00	-0.09
17.5	1.05	-0.09
17.8	1.07	-0.11
18.1	1.06	-0.10
18.4	1.02	-0.10
18.7	1.03	-0.11
19.0	1.08	-0.12
19.3	1.11	-0.15
19.6	1.10	-0.16
19.9	1.07	-0.16
20.2	1.02	-0.16
20.5	1.03	-0.17
20.8	1.07	-0.20
21.1	1.09	-0.24
21.4	1.09	-0.25
21.7	1.09	-0.29
22.0	1.10	-0.33



Multipath Electronics

Contact

+86-571-56201039

sales@multipath.cn

https://www.multipath-electron.com

Technical specifications in this datasheet are subject to change without notice. Actual products may differ from the shown images.