

# Orthogonal Coaxial Adapters

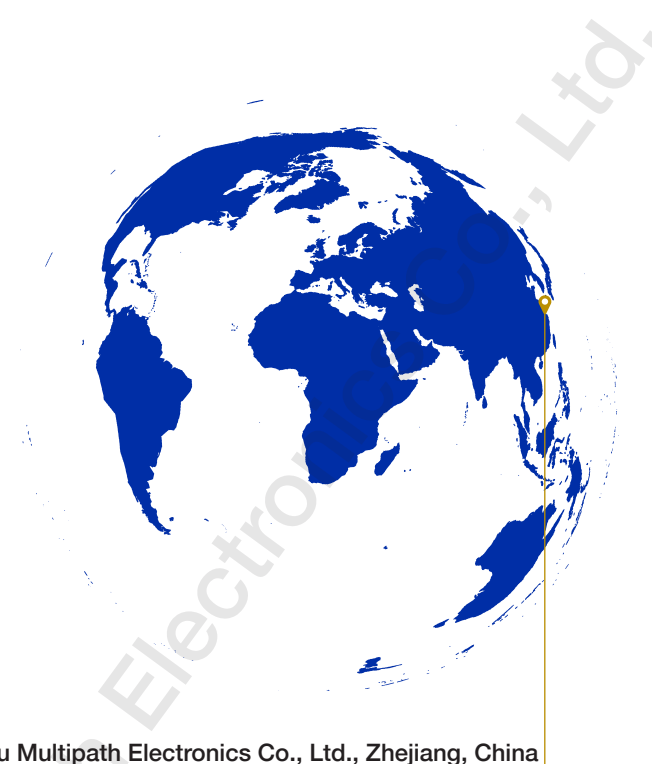
9.84 - 15.0 GHz



QR code



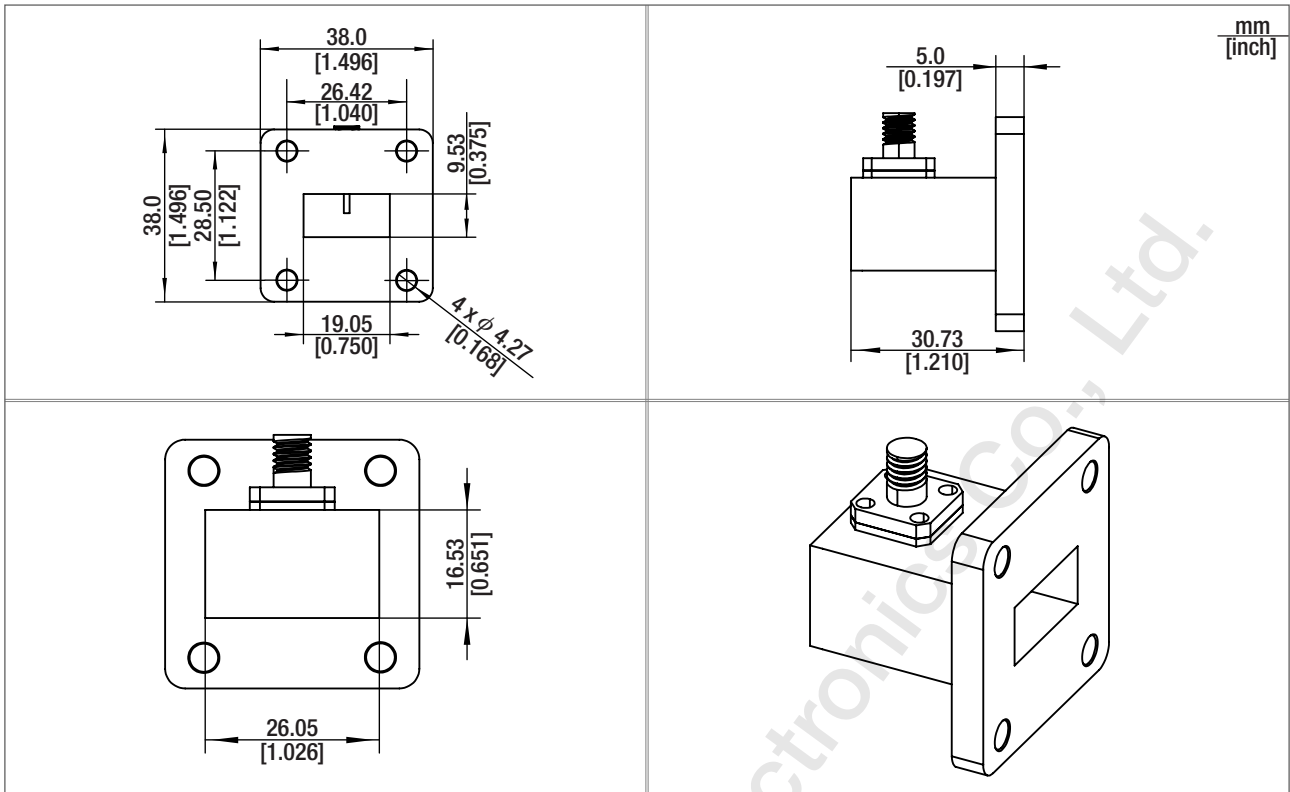
Hangzhou Multipath Electronics Co., Ltd., Zhejiang, China



## Product specifications

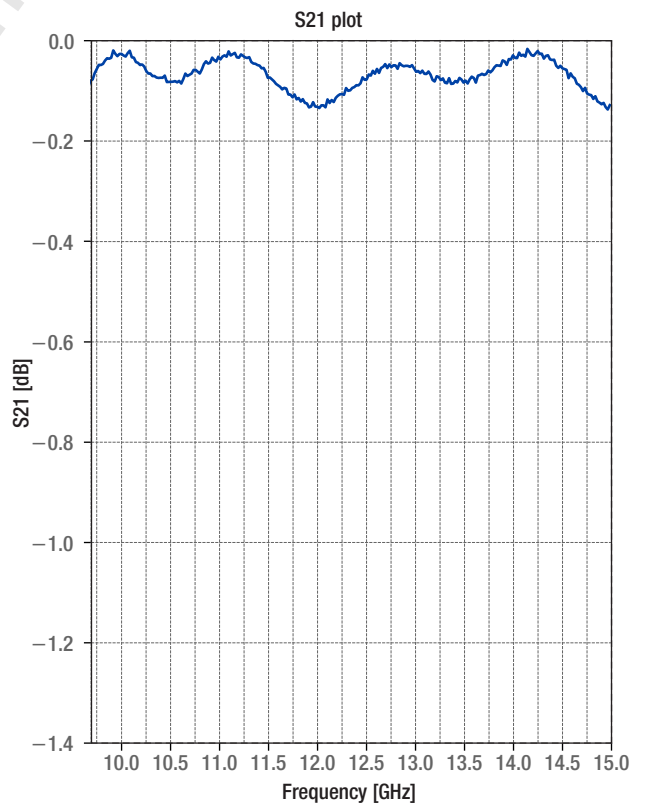
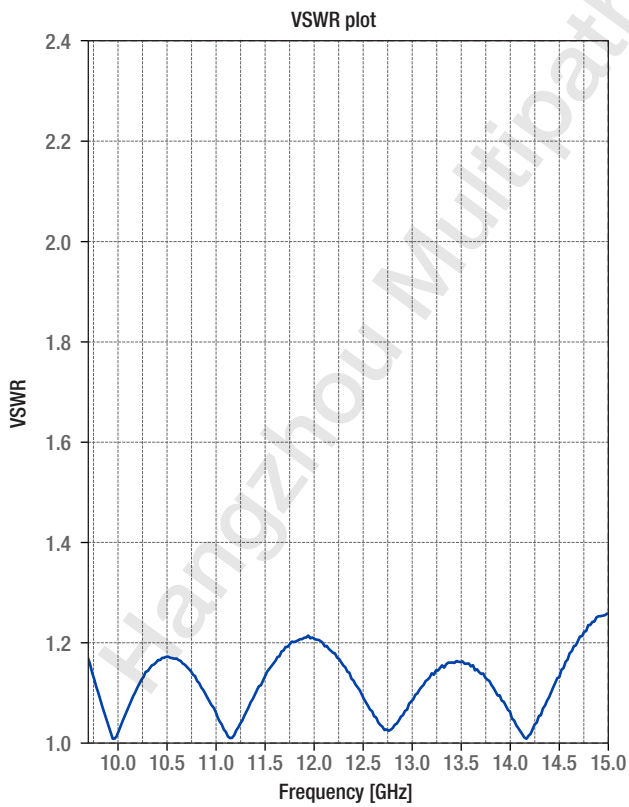
Part number	WR75-SMA-F	Insertion loss [dB]	0.10 Max.
Frequency range [GHz]	9.84 – 15.0	VSWR	1.10 Max.
Waveguide band	WR75	Flange	FBP120(UBR120)
RF connector	SMA-Female	Average power [W CW]	50 Max.
Dimensions (H x W x L) [mm; inch]	38 x 38 x 30.73; 1.50 x 1.50 x 1.21	Peak power [KW]	3
Weight (approx.) [kg; lb]	0.04; 0.09	Impedance [Ohms]	50
Material	Aluminum		

Outline dimensions



Electrical characteristics

• VSWR & S21



• Data table

Frequency [GHz]	VSWR	S21 [dB]
10.0	1.13	-0.06
10.2	1.00	-0.02
10.4	1.09	-0.04
10.6	1.15	-0.07
10.8	1.16	-0.08
11.0	1.13	-0.06
11.2	1.06	-0.03
11.4	1.02	-0.03
11.6	1.10	-0.04
11.8	1.16	-0.08
12.0	1.20	-0.11
12.2	1.20	-0.12
12.4	1.16	-0.10
12.6	1.10	-0.07
12.8	1.03	-0.05
13.0	1.05	-0.04
13.2	1.11	-0.06
13.4	1.15	-0.08
13.6	1.16	-0.07
13.8	1.13	-0.06
14.0	1.08	-0.04
14.2	1.01	-0.01
14.4	1.07	-0.02
14.6	1.16	-0.07
14.8	1.22	-0.10
15.0	1.25	-0.12



Multipath Electronics

**Contact**

+86-571-56201039

sales@multipath.cn

https://www.multipath-electron.com

Technical specifications in this datasheet are subject to change without notice. Actual products may differ from the shown images.